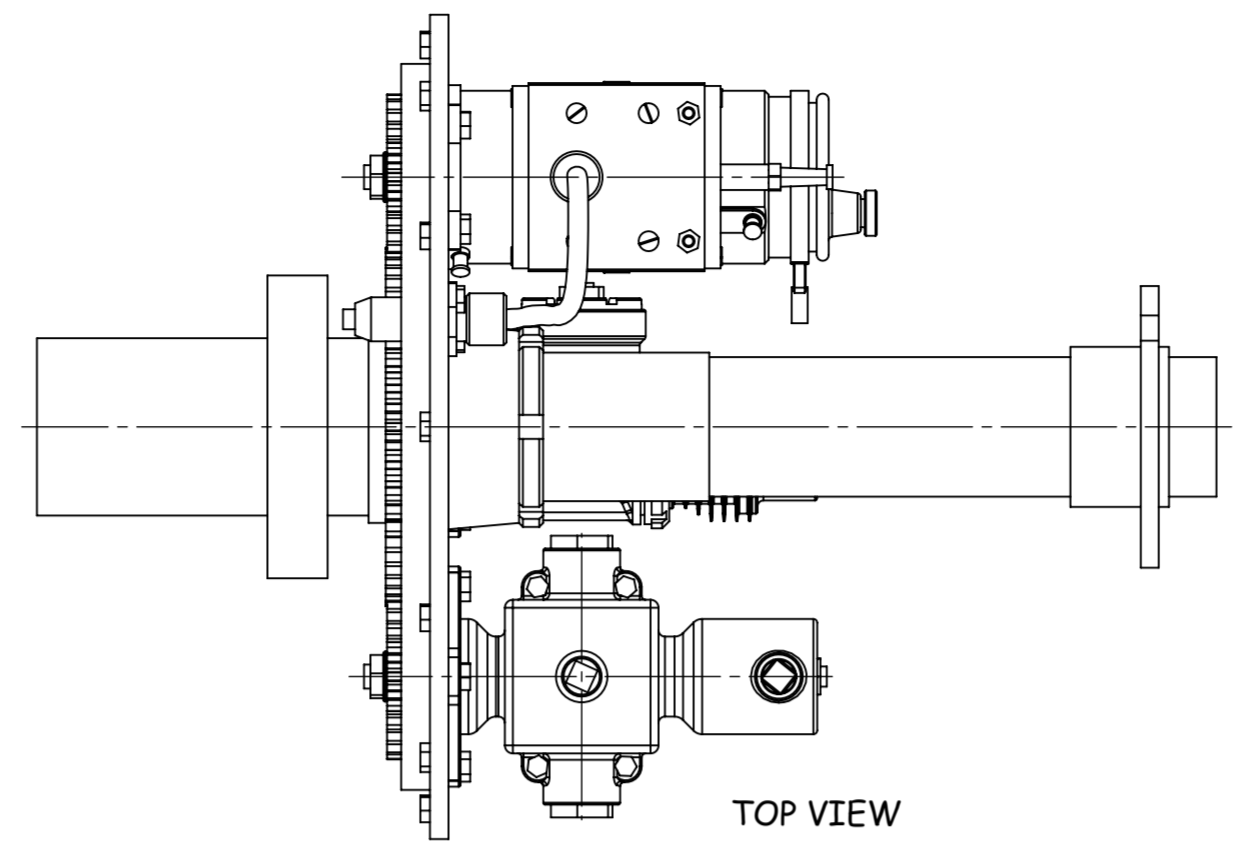
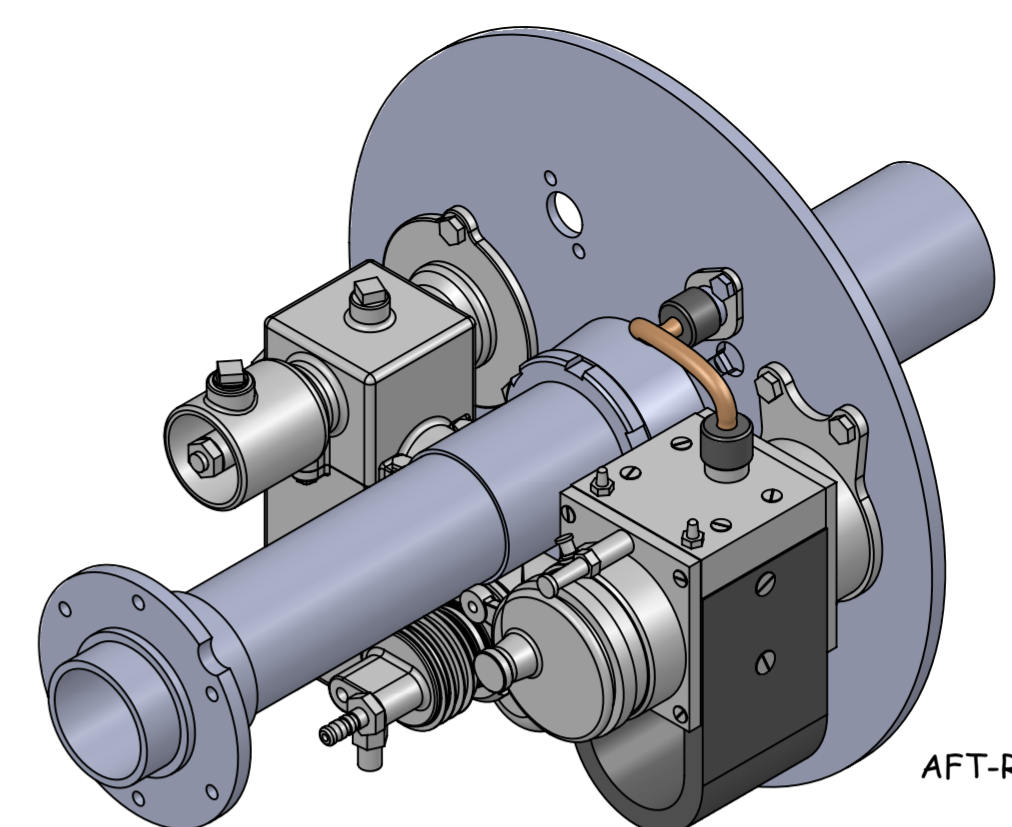


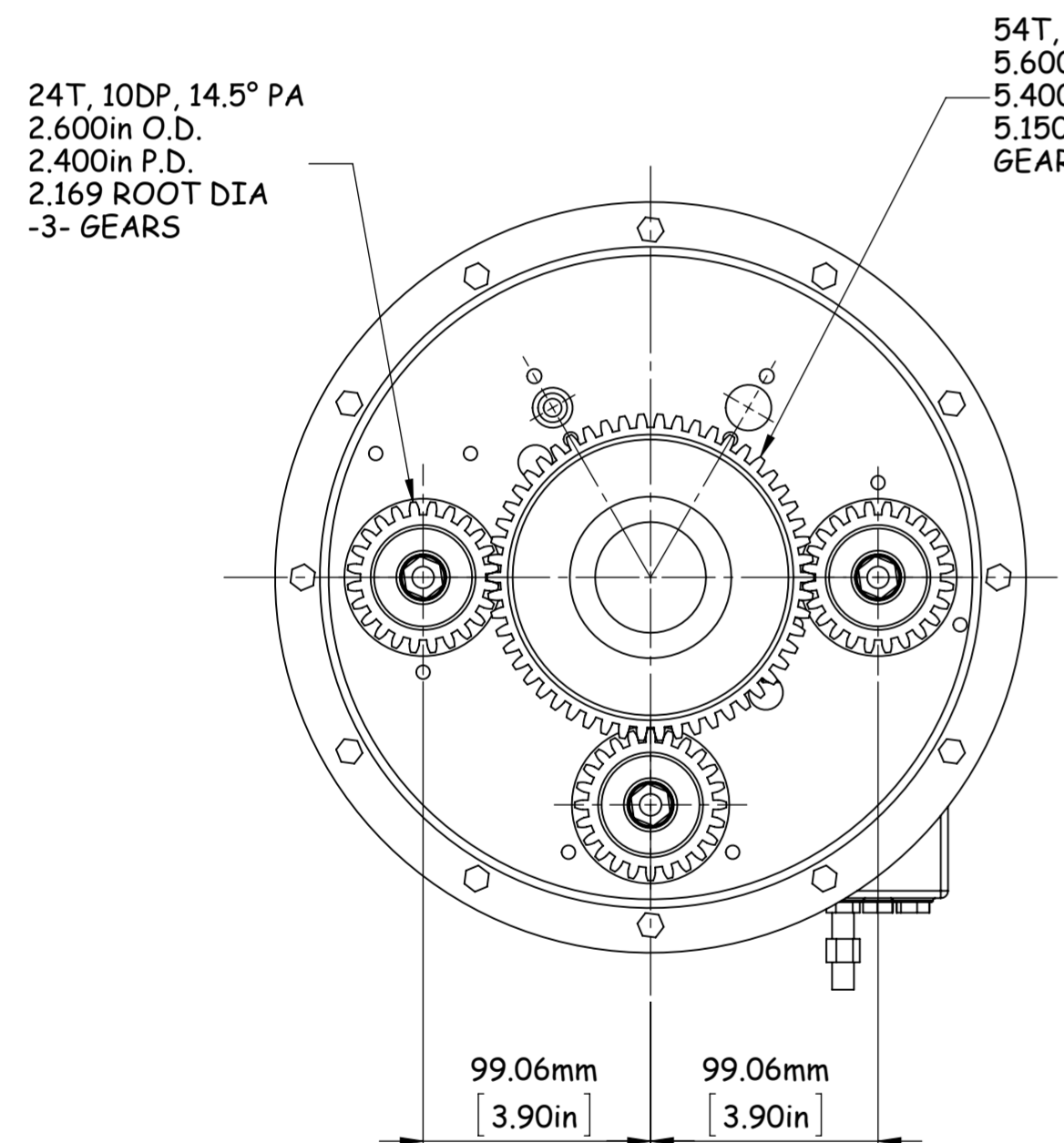
FORE-LEFT VIEW



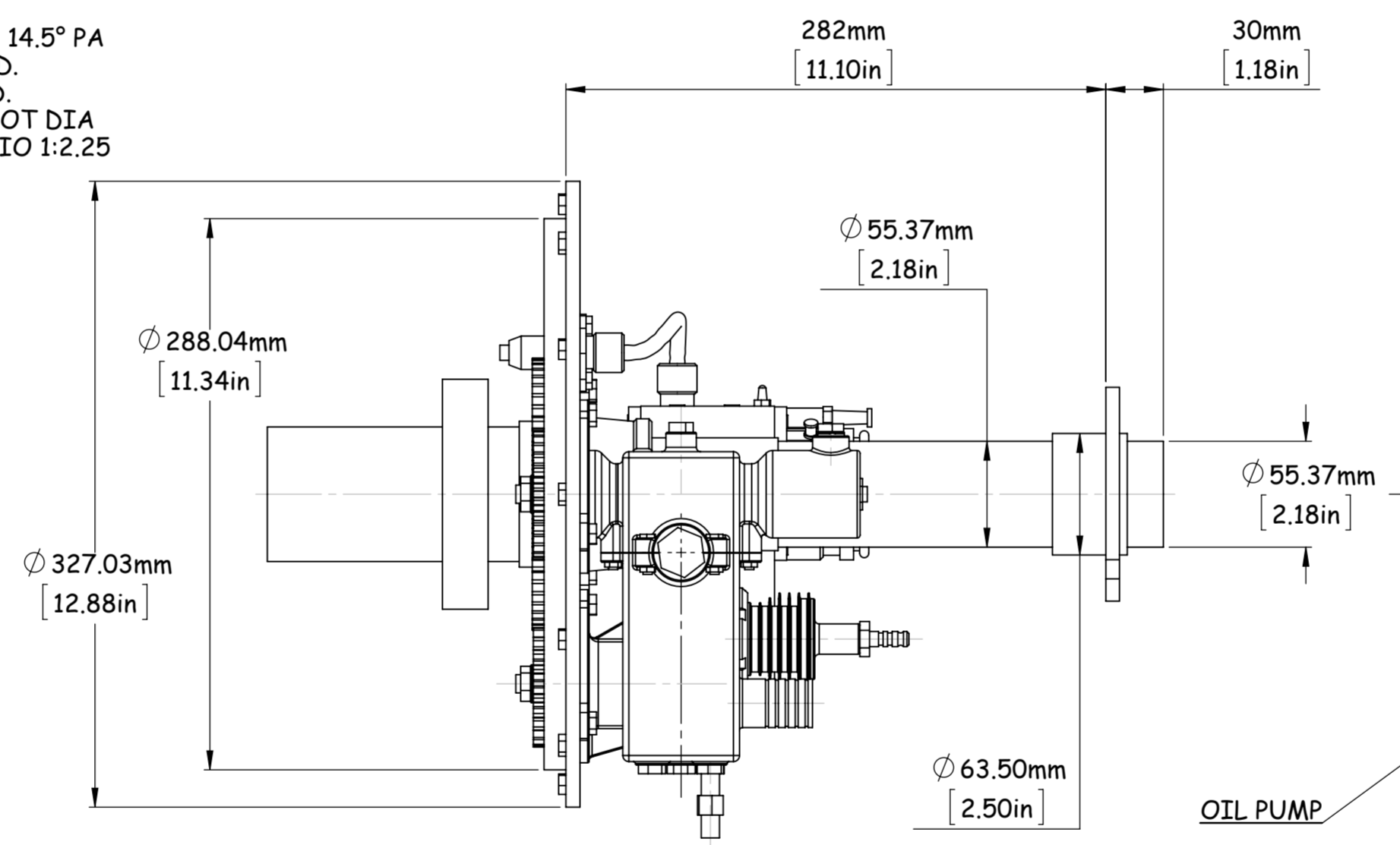
TOP VIEW



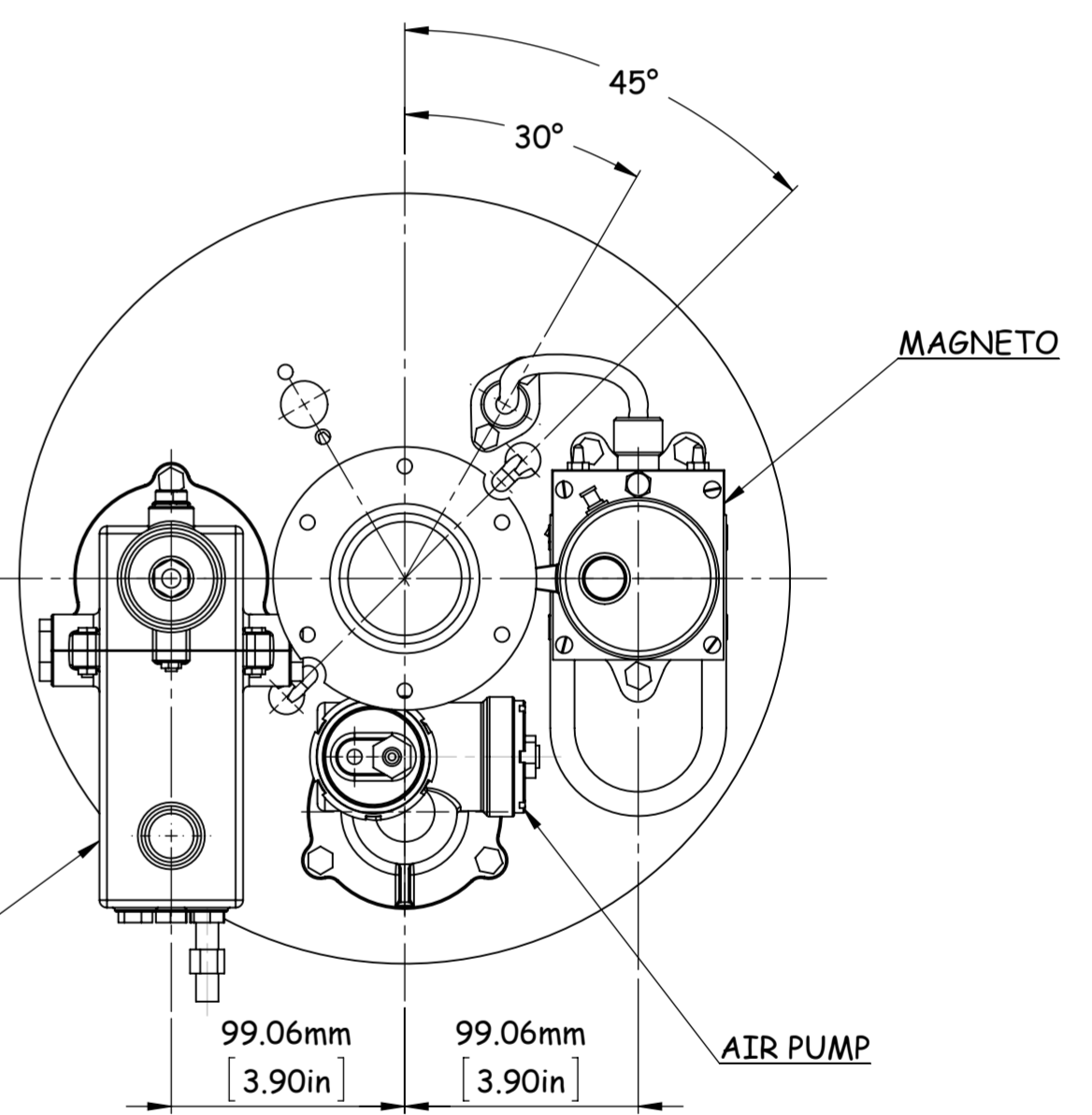
AFT-RIGHT VIEW



FORE VIEW



LEFT VIEW



AFT VIEW

NO.	REVISION/ CHANGE ORDER	DATE	BY	CHK'D
KEYSTONE CAD MODELING, LLC. "CAD Modeling History One Project at a Time"				
DRAWN: R. HUFF		PROJECT NAME:		
CHK'D:		GNOME MONOSOUPE 9B, 100HP		
REAR SECTION				
DATE: 1-13-2019		SCALE:		SHT NO: 4

RANDY HUFF IS A  
LIFE-TIME MEMBER OF THE  
AIRCRAFT ENGINE HISTORICAL SOCIETY  
www.enginehistory.org  
contact me at: randyhuff1@aol.com