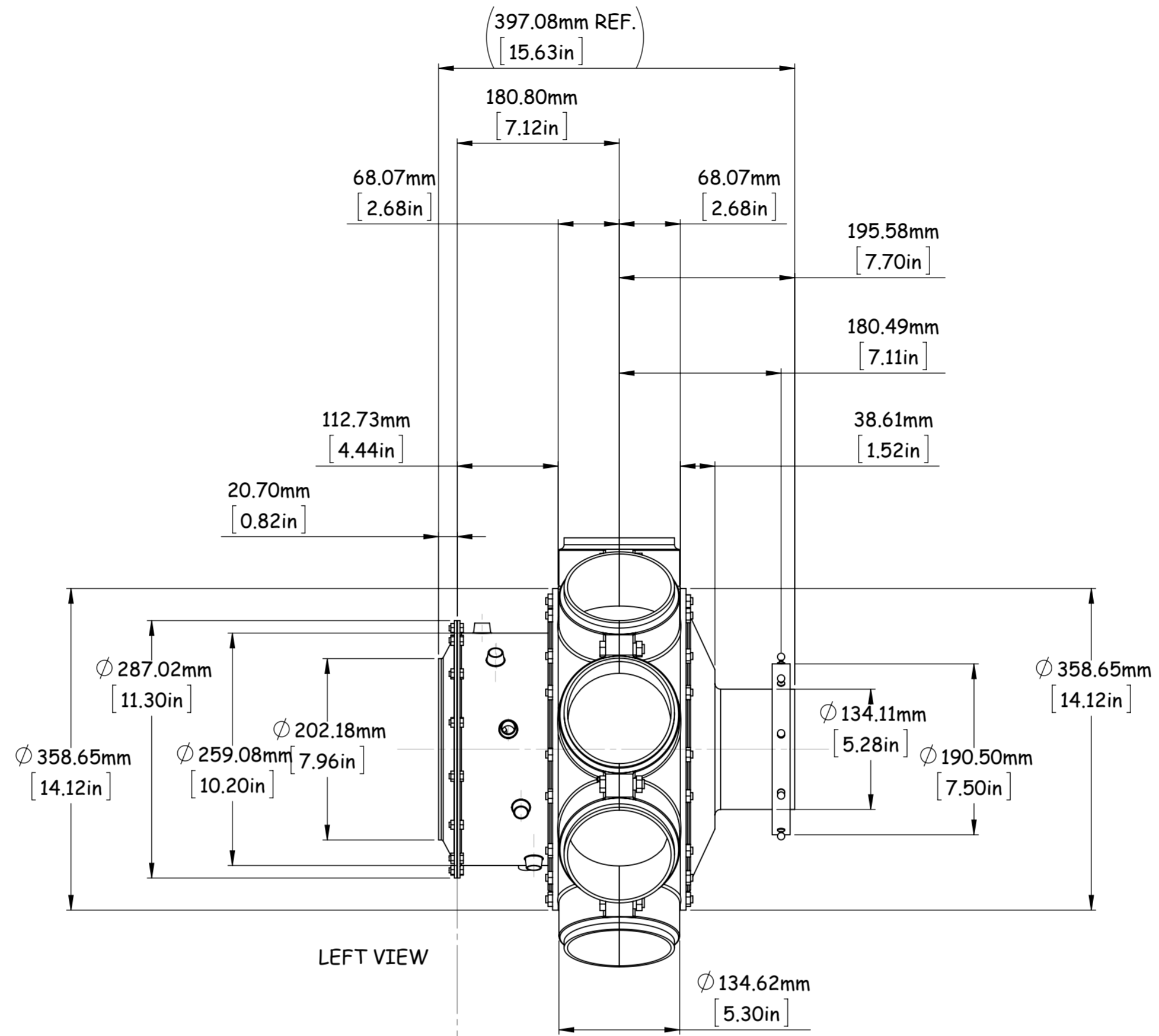
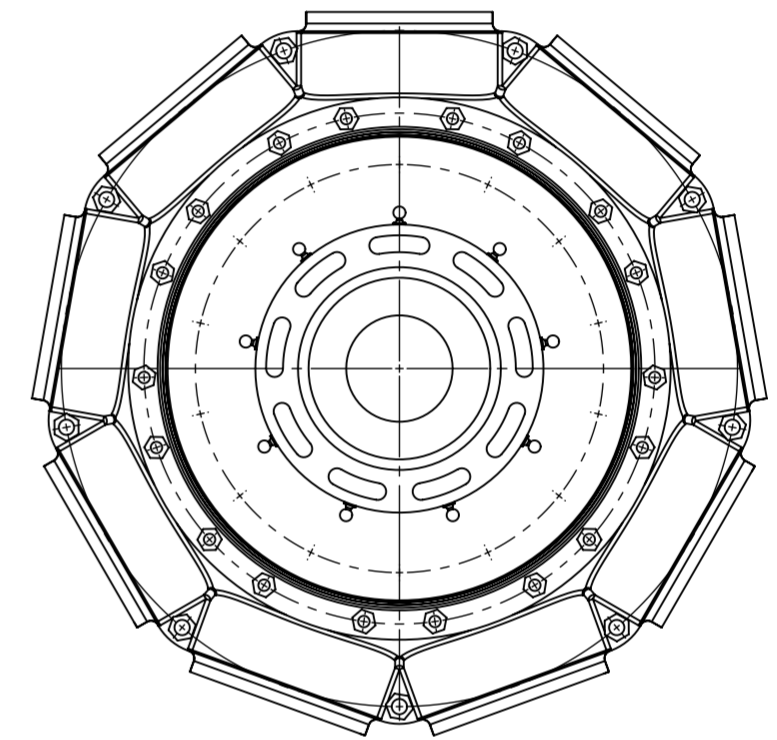


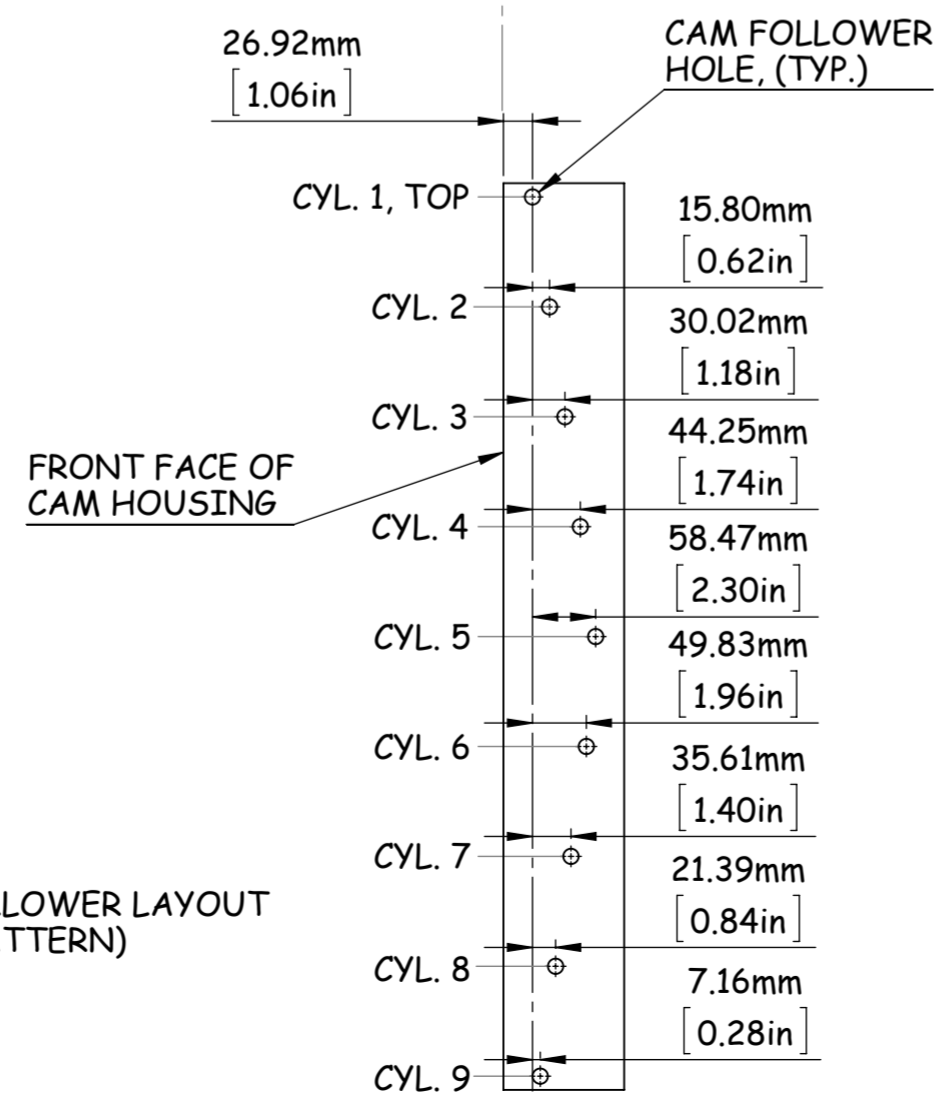
FORE VIEW



LEFT VIEW



AFT VIEW



CAM FOLLOWER LAYOUT (FLAT PATTERN)

RANDY HUFF IS A
 LIFE-TIME MEMBER OF THE
 AIRCRAFT ENGINE HISTORICAL SOCIETY
 www.enginehistory.org
 contact me at: randyhuff1@aol.com

NO.	REVISION/ CHANGE ORDER	DATE	BY	CHK'D
KEYSTONE CAD MODELING, LLC. "CAD Modeling History One Project at a Time"				
DRAWN:	R. HUFF	PROJECT NAME:	GNOME MONOSOUPAPE 9B, 100HP	
CHK'D:		CRANKCASE ASSEMBLY, (EXTERNAL ONLY)		
DATE:	12-11-2018	SHT NO:	2	
SCALE:				