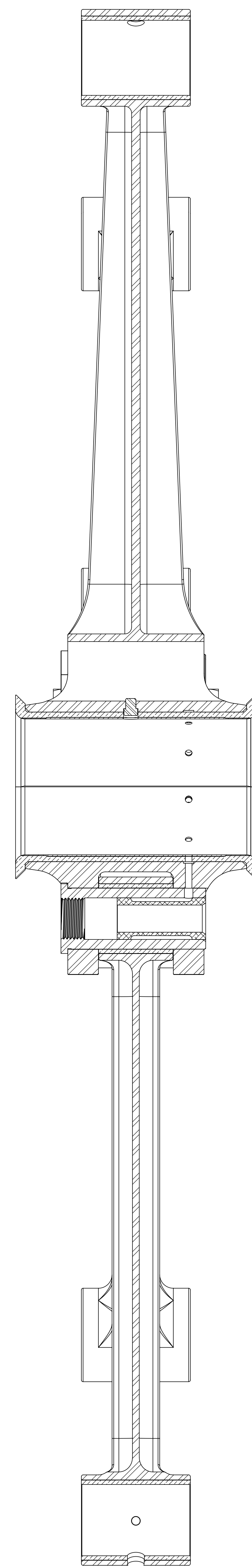
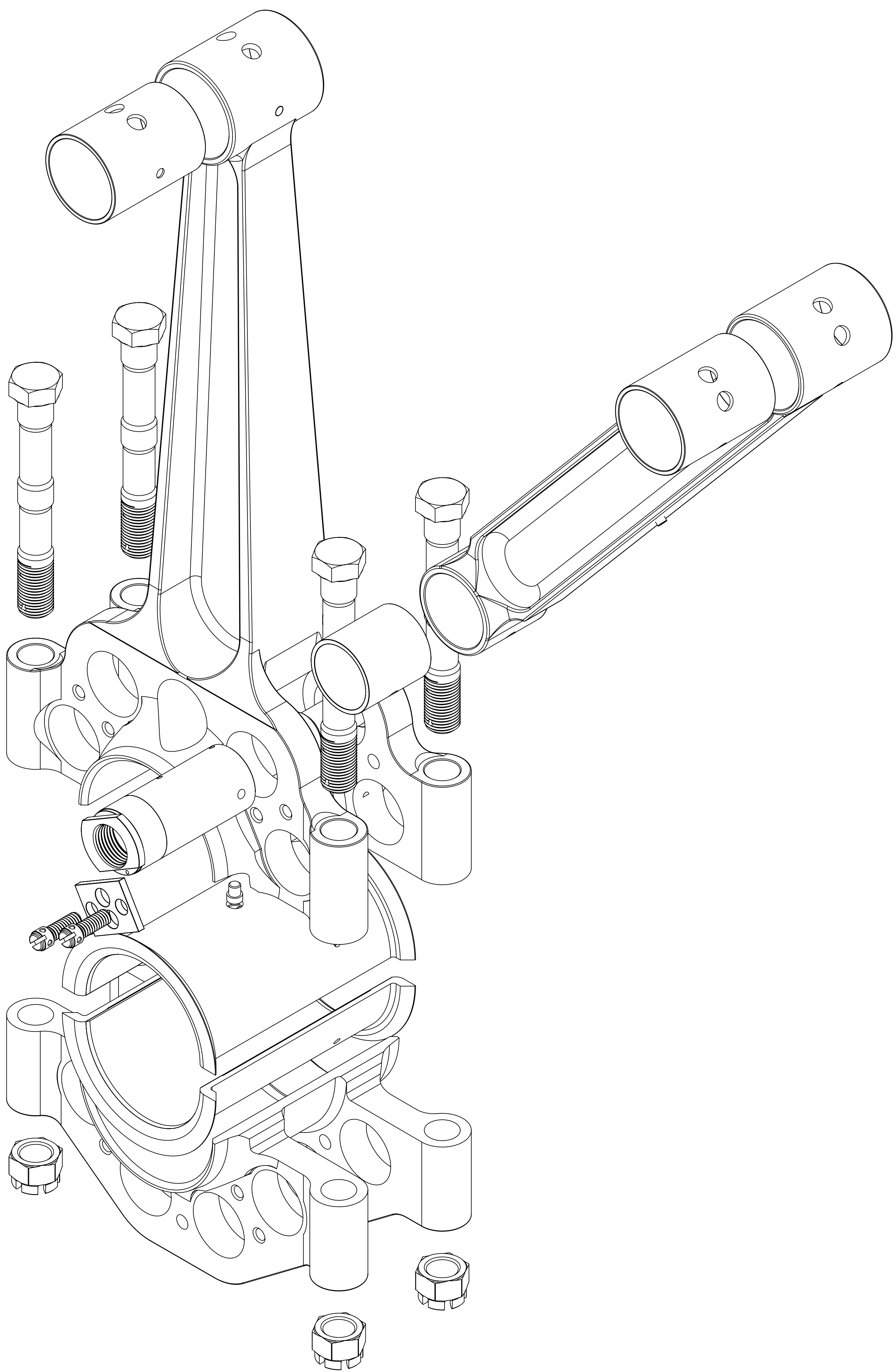


Wright Aviation Engine
Model P-2
Master & Articulated Rods Assy.
J. Riend 04feb24



SECTION B-B



**Wright Aviation Engine
Model P-2
Master & Articulated Rods Assy.
J. Riend 04feb24**