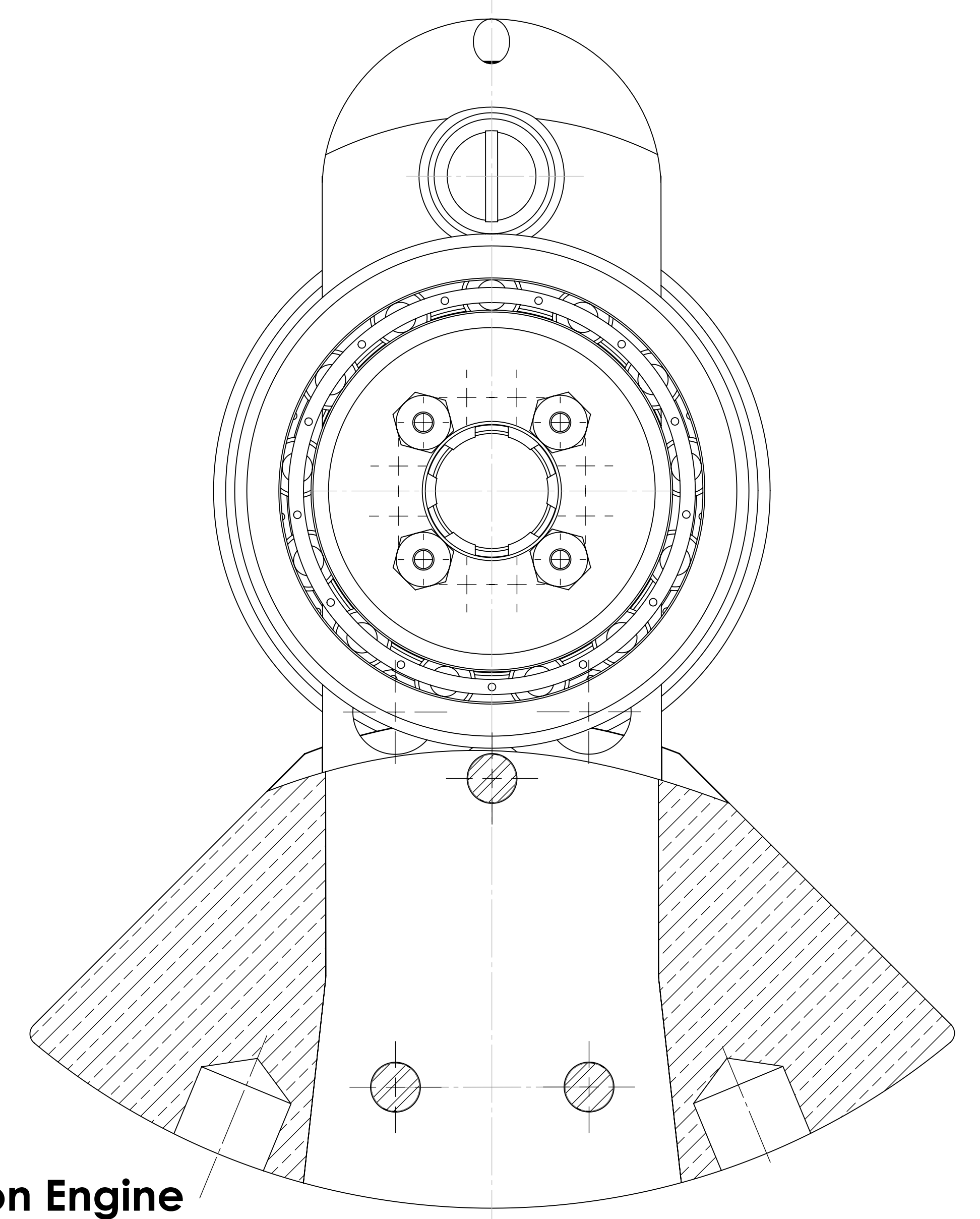
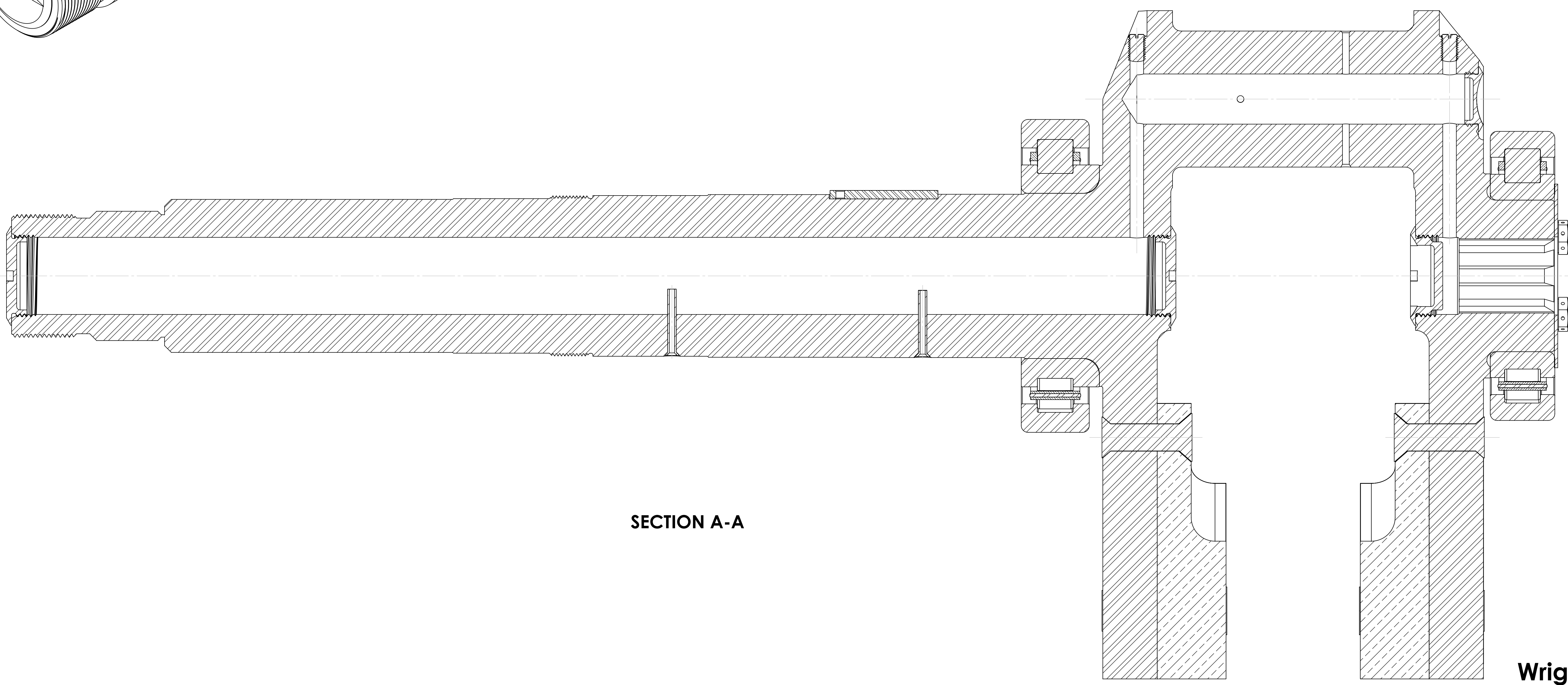
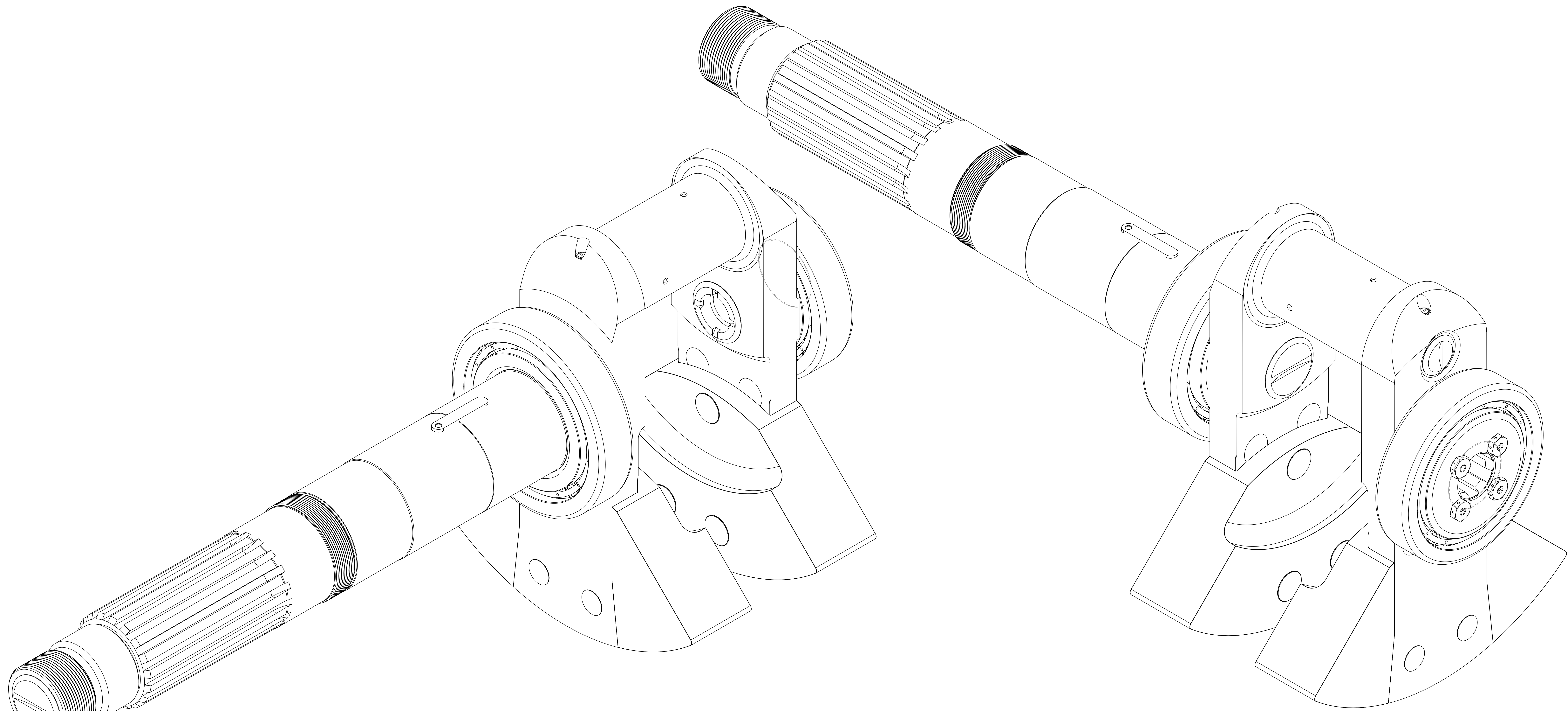


8 7 6 5 4 3 2 1

H
F
G
E
F
D
C
B
A

H
G
F
E
D
C
B
A



Wright Aviation Engine
Model P-2 Crankshaft Assy.
J Riend 04feb24

8 7 6 5 4 3 2 1