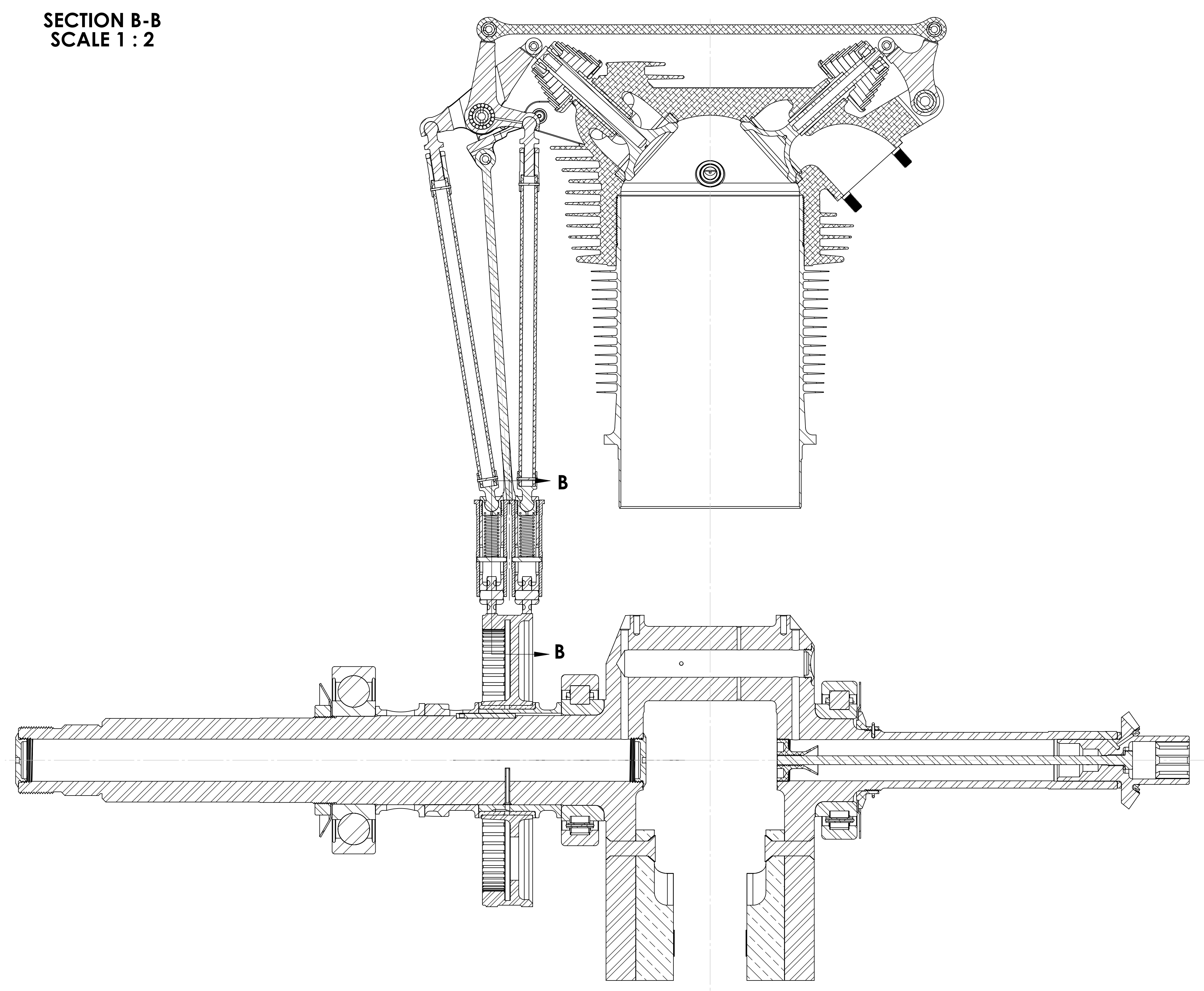
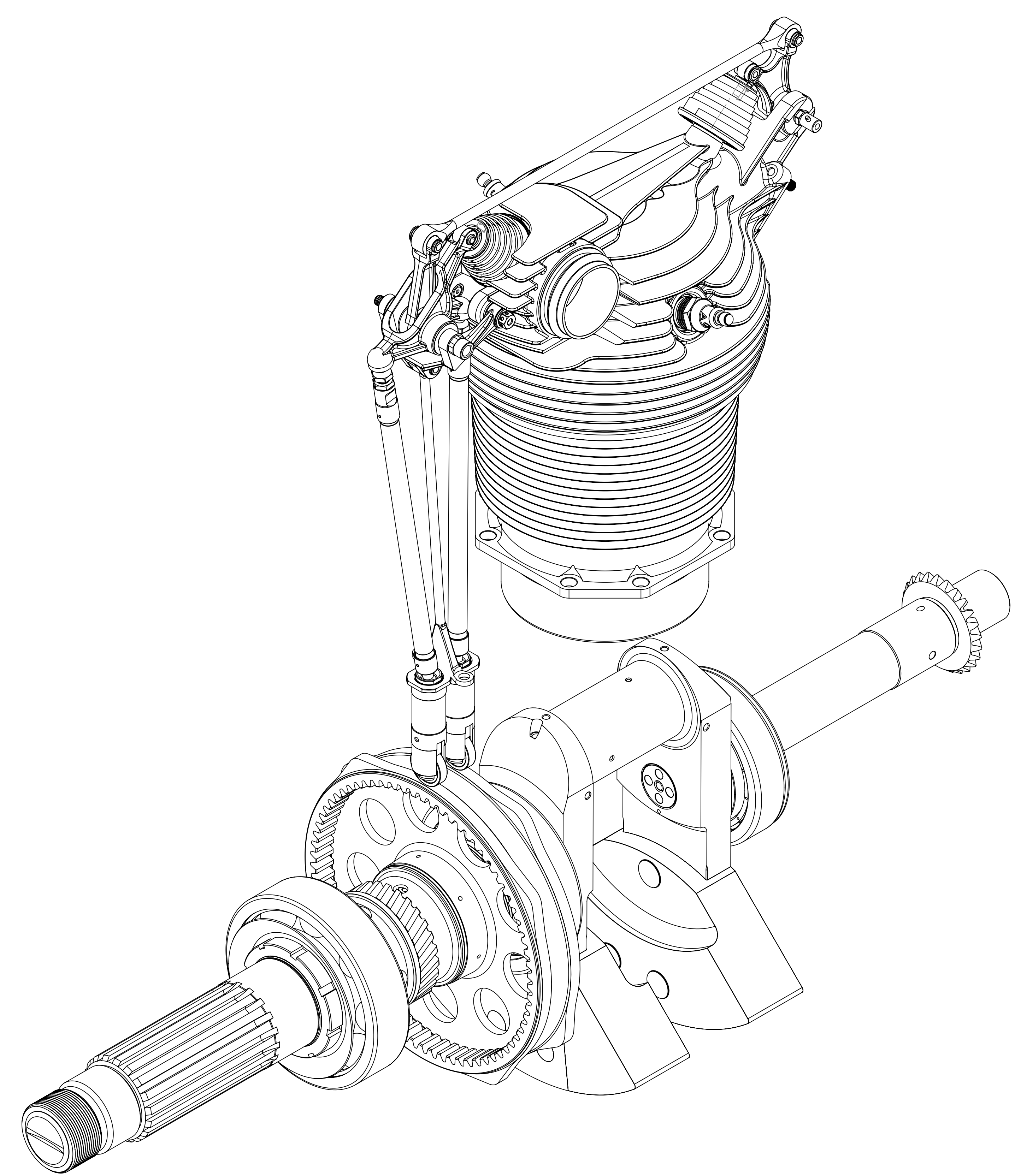


SECTION B-B
SCALE 1 : 2



SECTION A-A
SCALE 1 : 2



WRIGHT AVATION ENGINE
MODEL P-1 "CYCLONE"
VALVE TRAIN LAYOUT
J. RIEND 18APR24