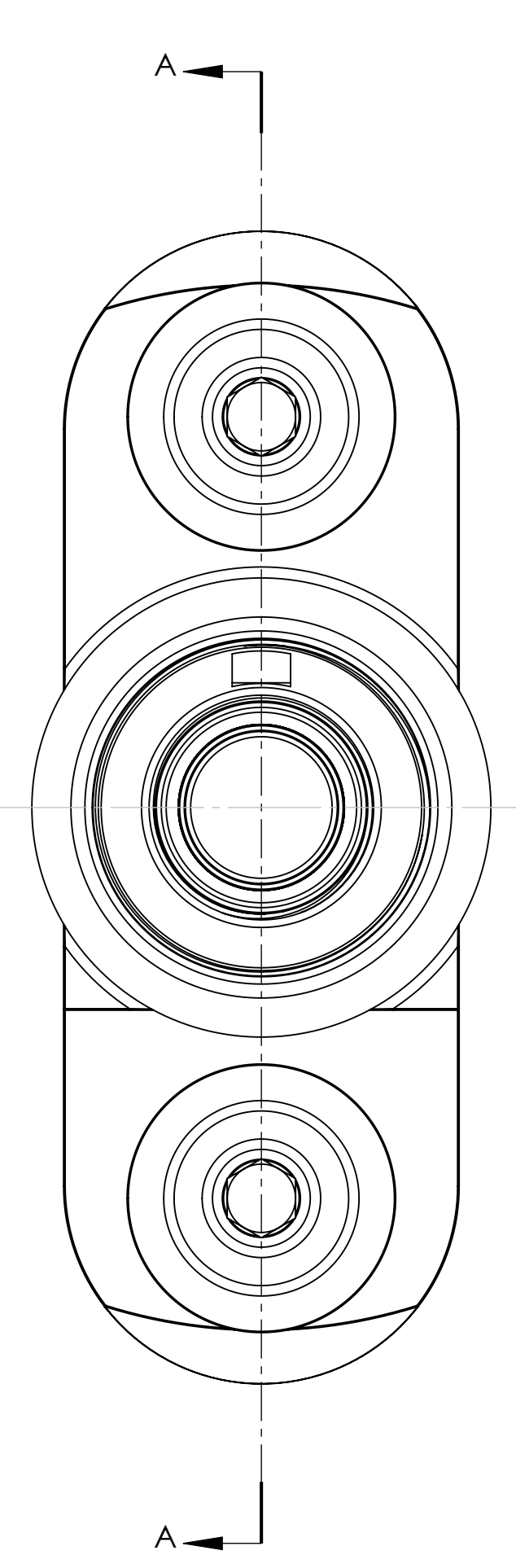
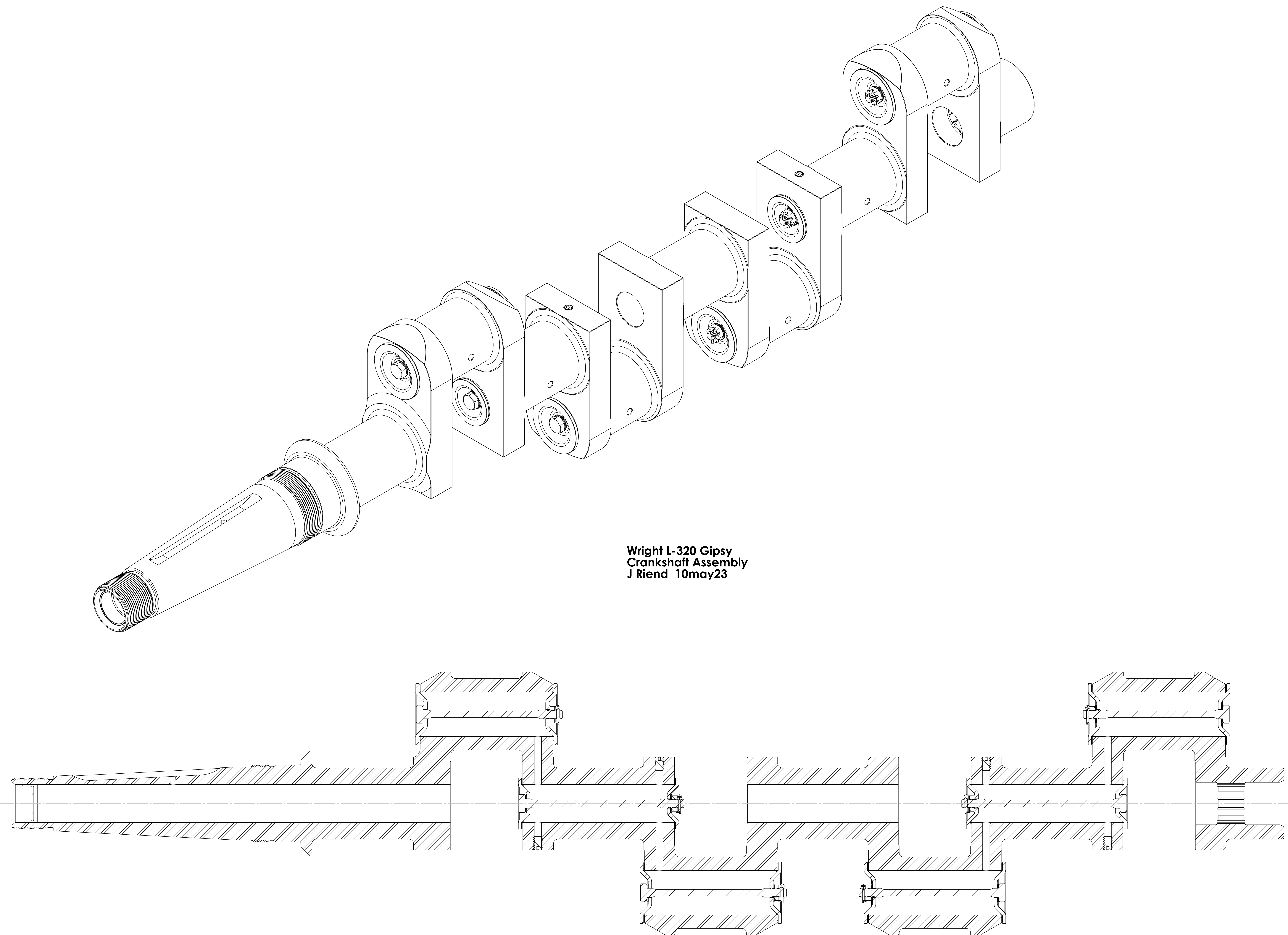


Wright L-320 Gipsy
Crankshaft Assembly
J Riend 10may23



SECTION A-A