

8

7

6

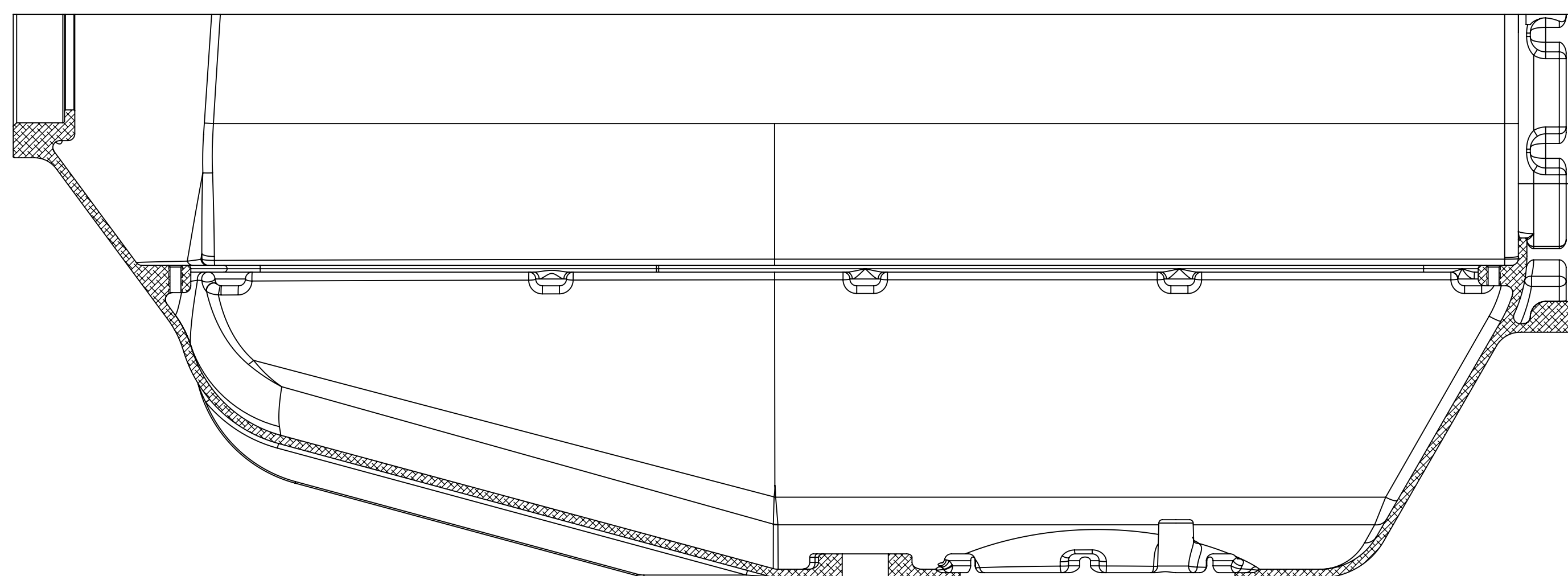
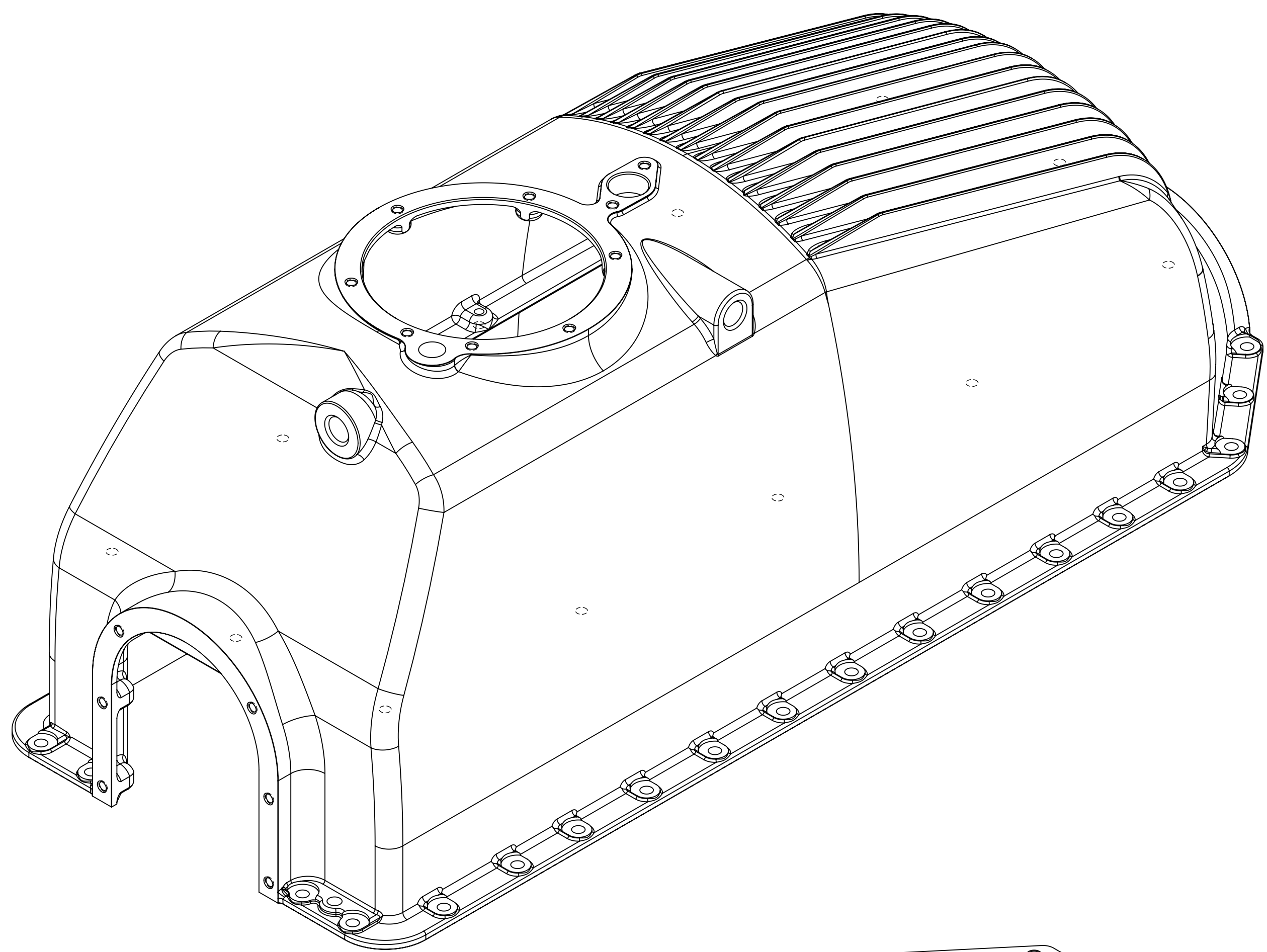
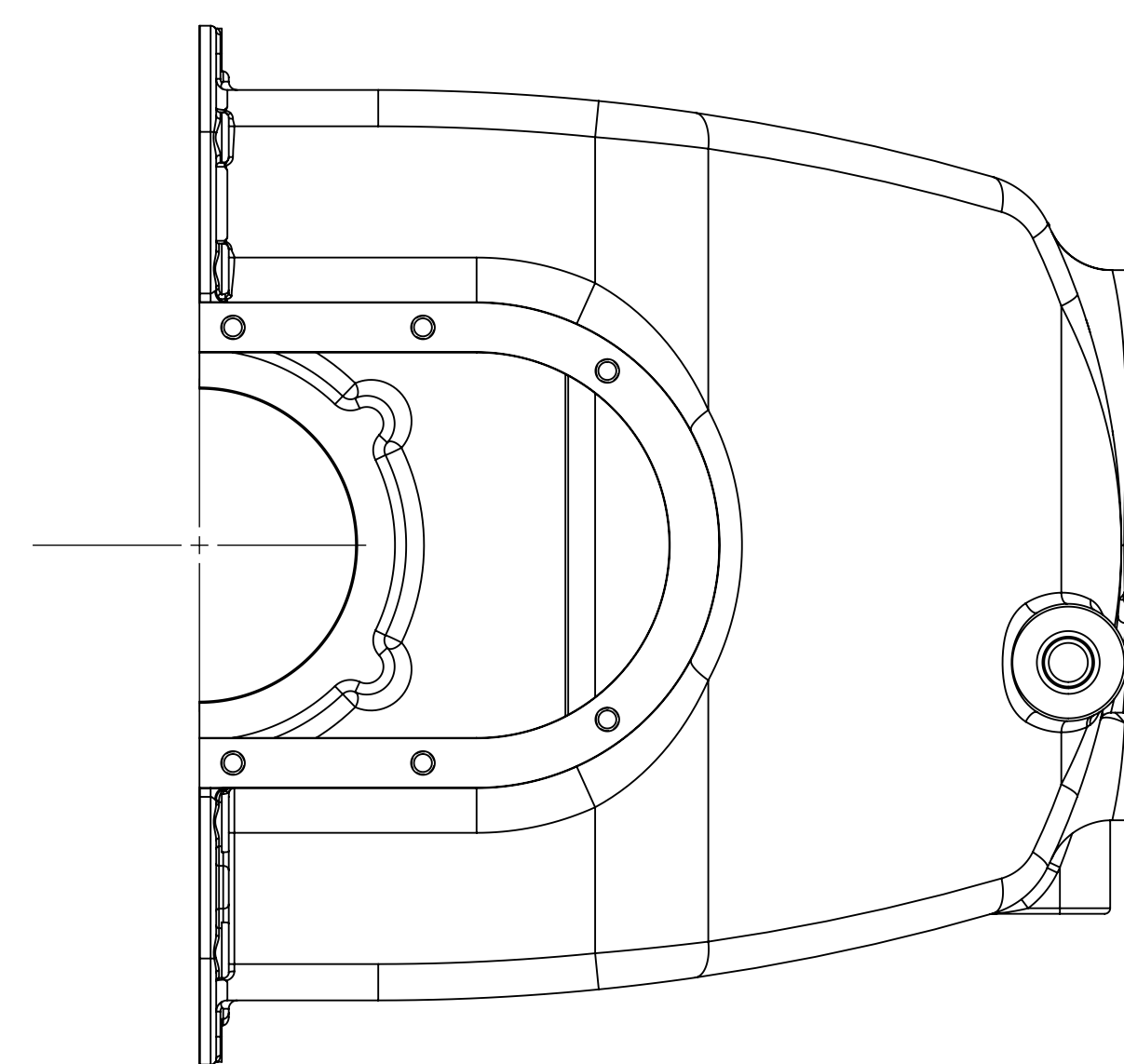
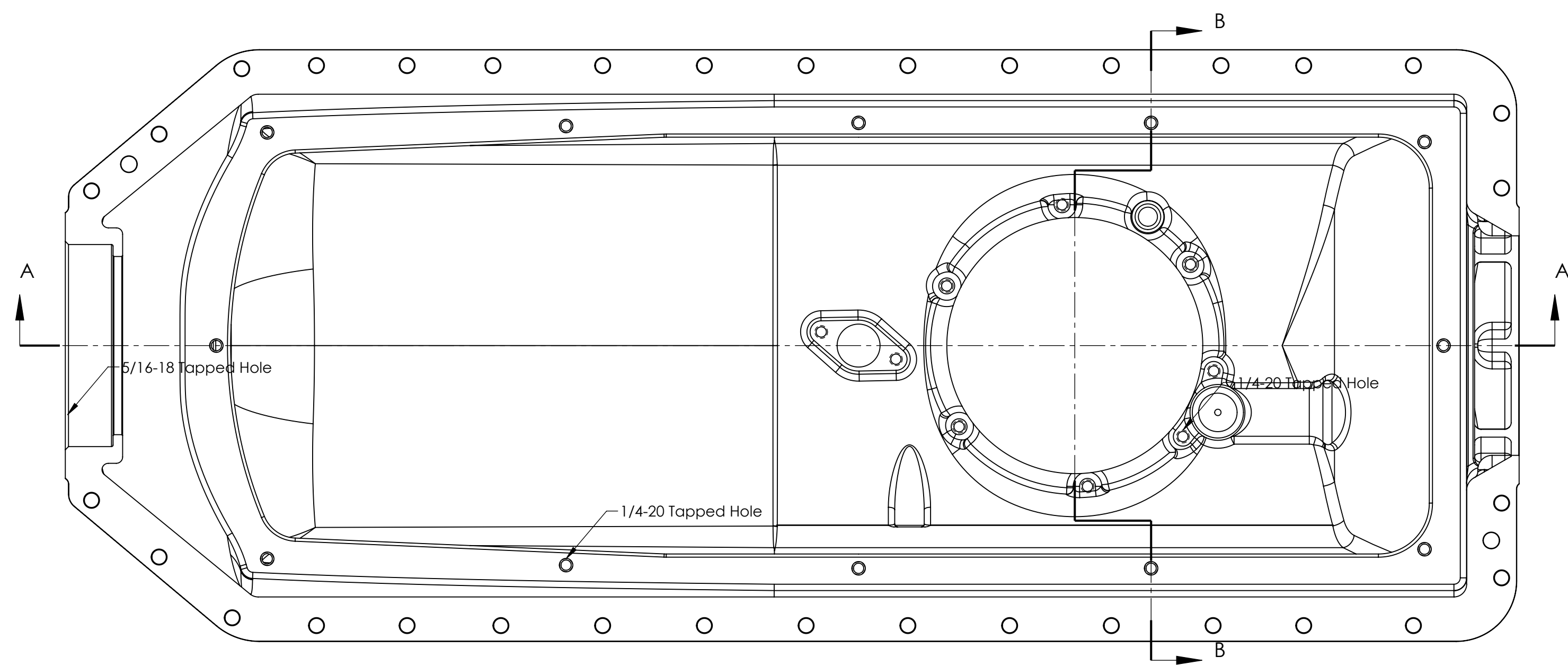
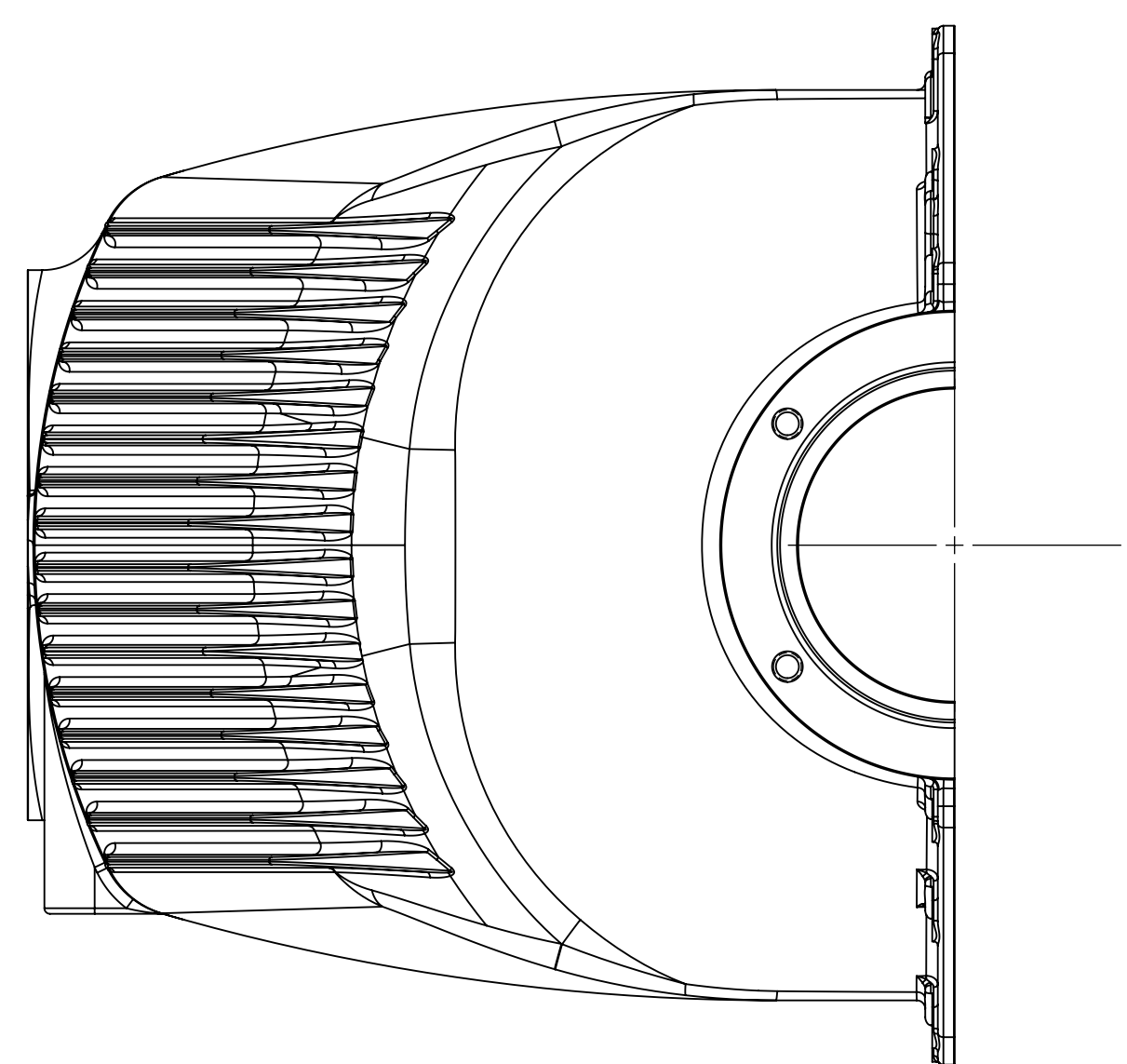
5

4

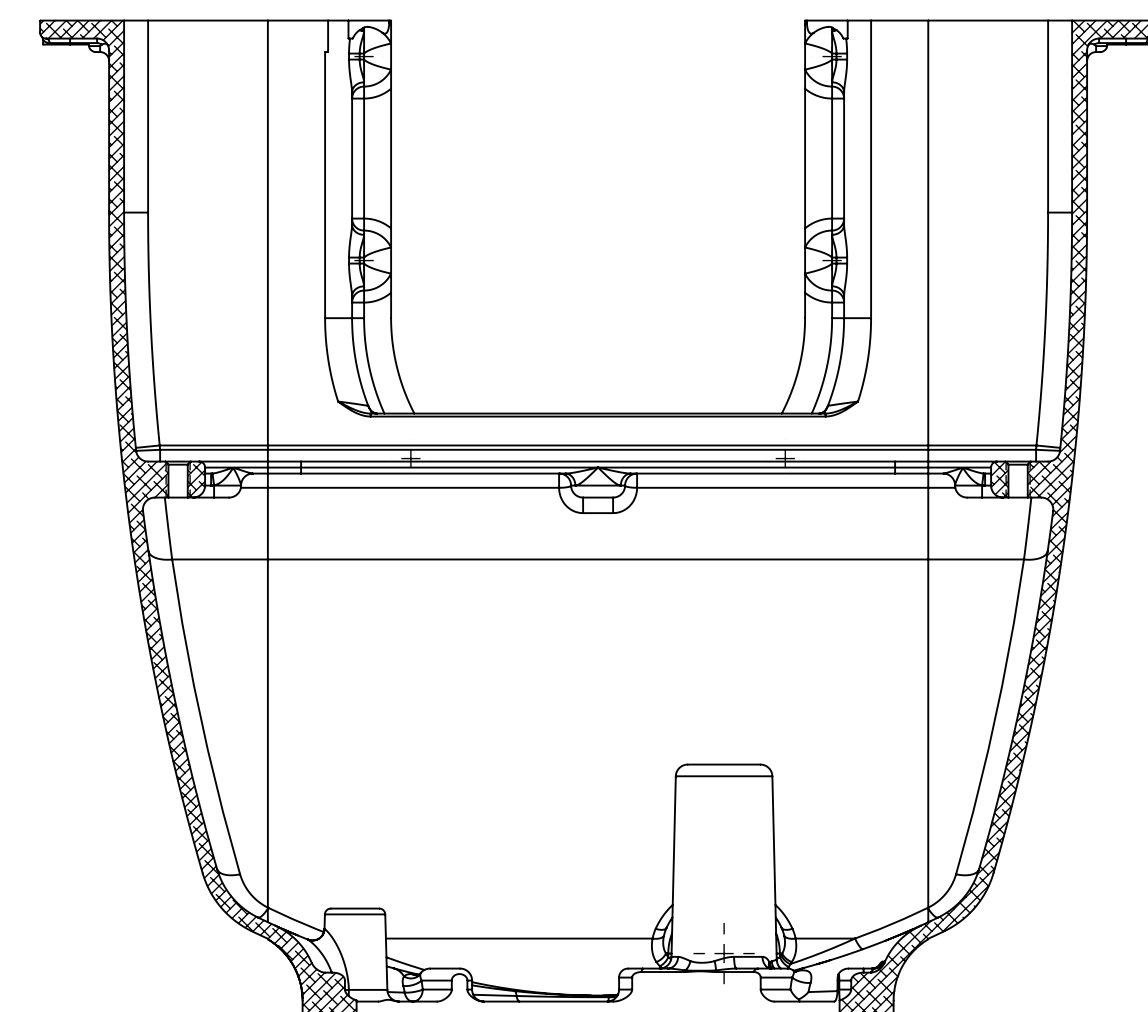
3

2

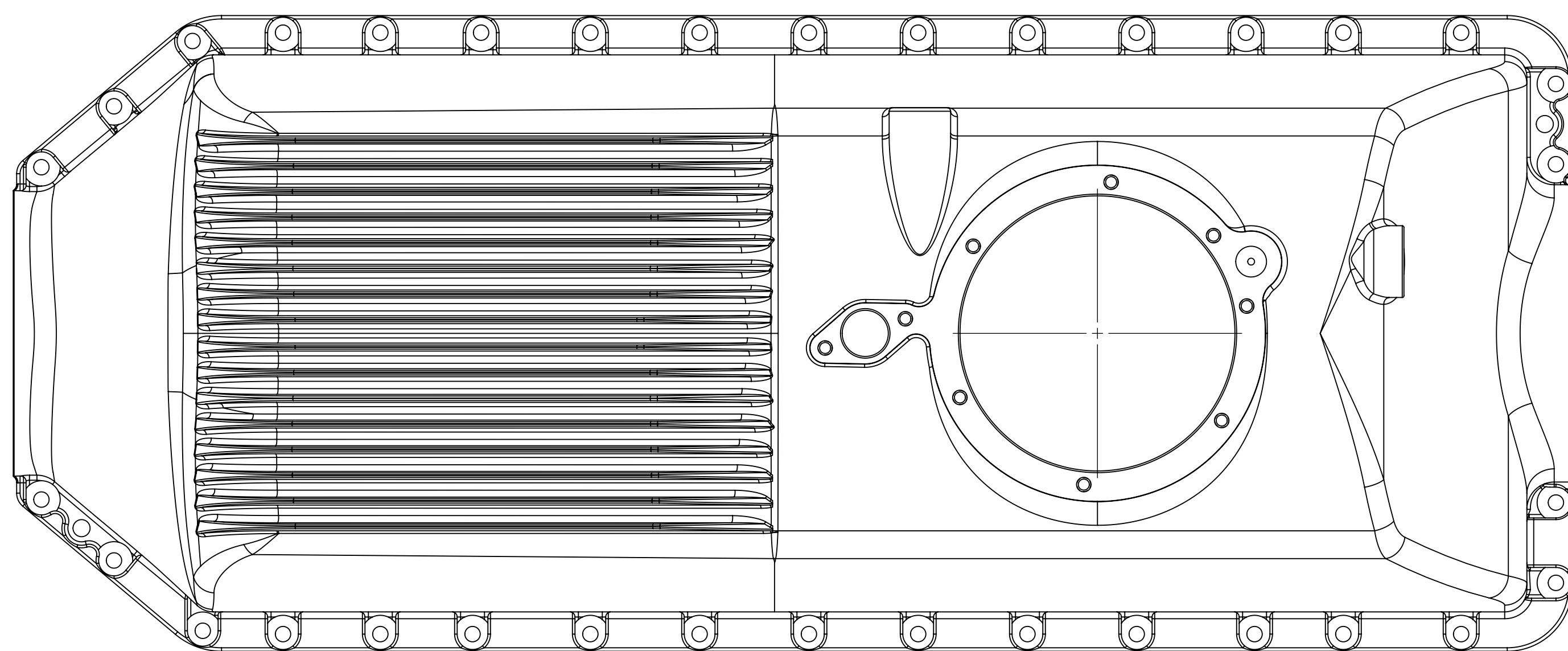
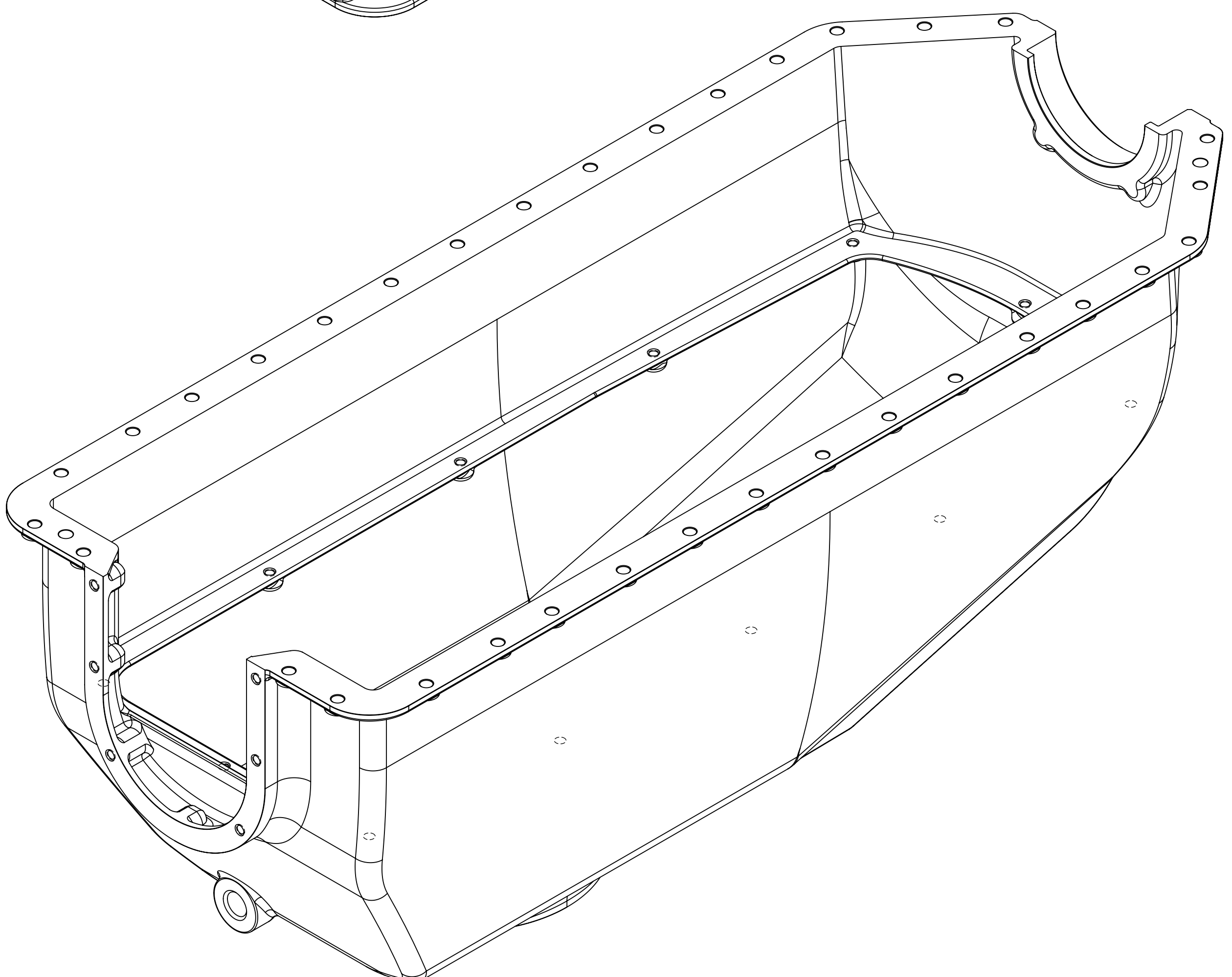
1



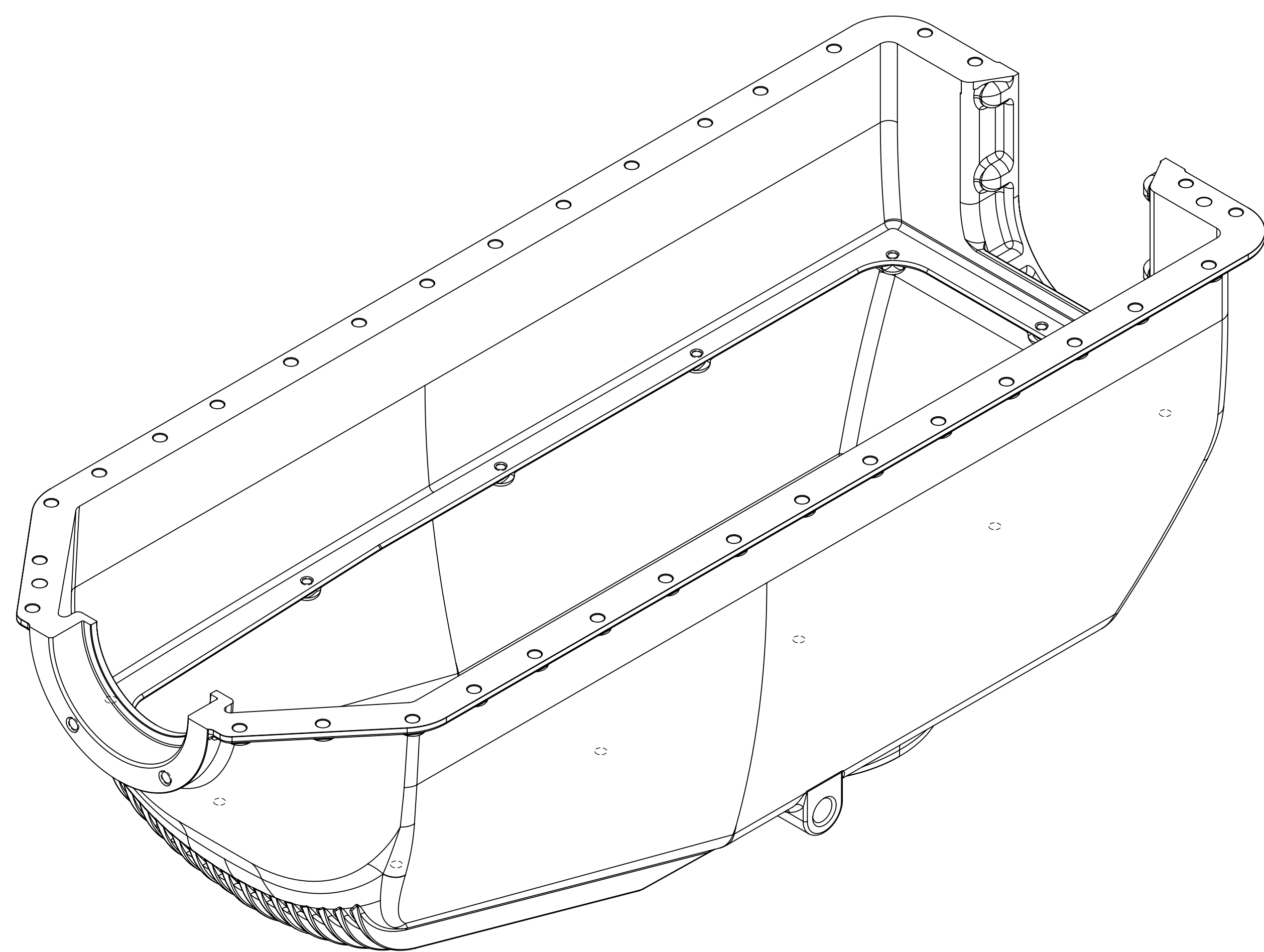
SECTION A-A  
SCALE 1 : 2



SECTION B-B  
SCALE 1 : 2



Wright L-320 Gipsy  
90002 Crankcase, Lower  
J Riend 27may23



8

7

6

5

4

3

2

1

H  
F  
E  
G  
F  
D  
C  
B  
A

H  
G  
F  
E  
D  
C  
B  
A