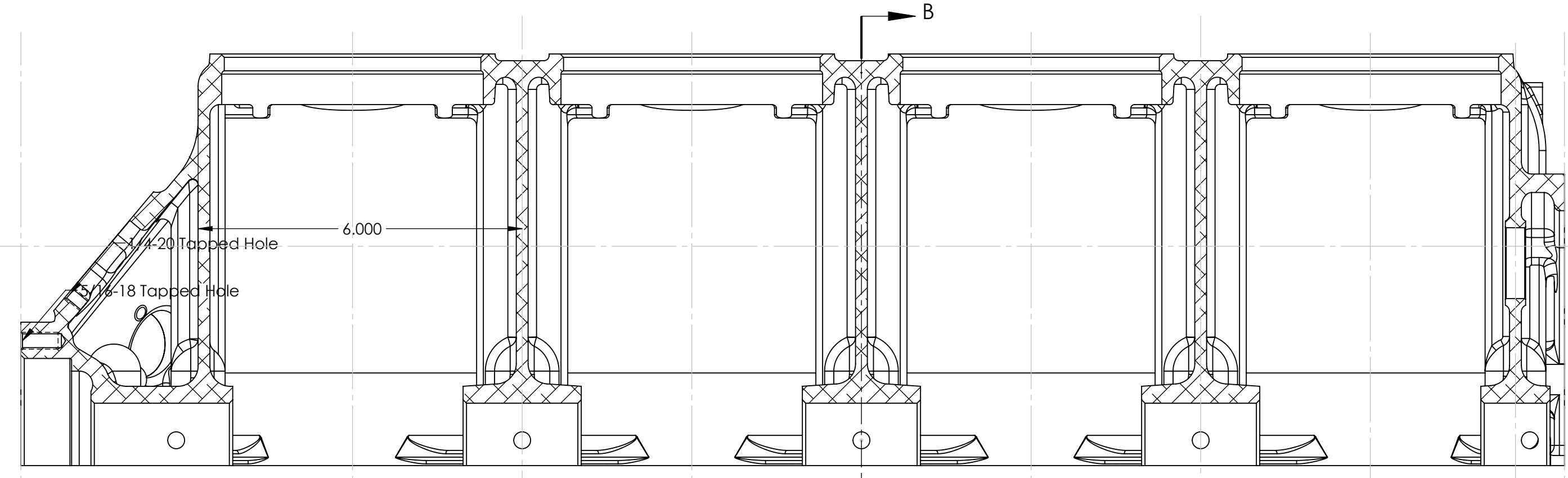
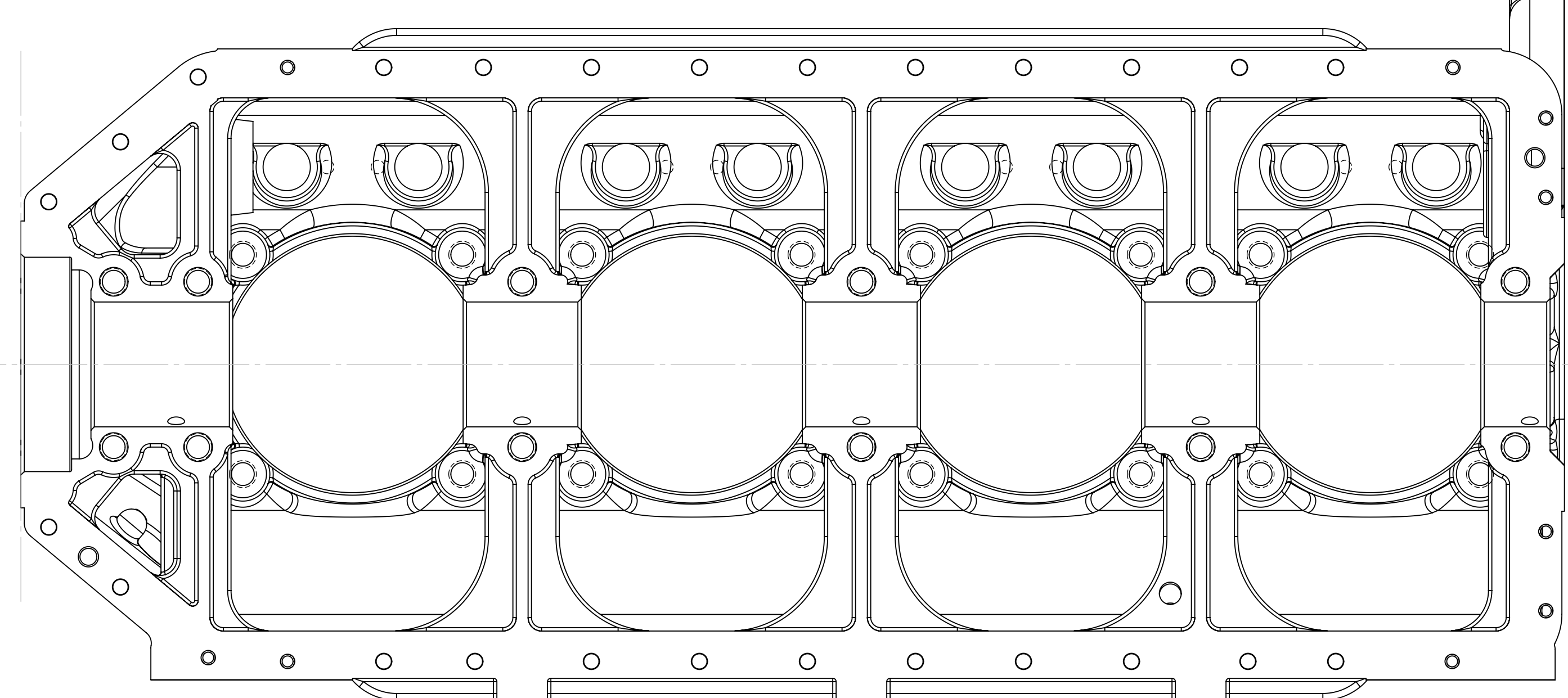
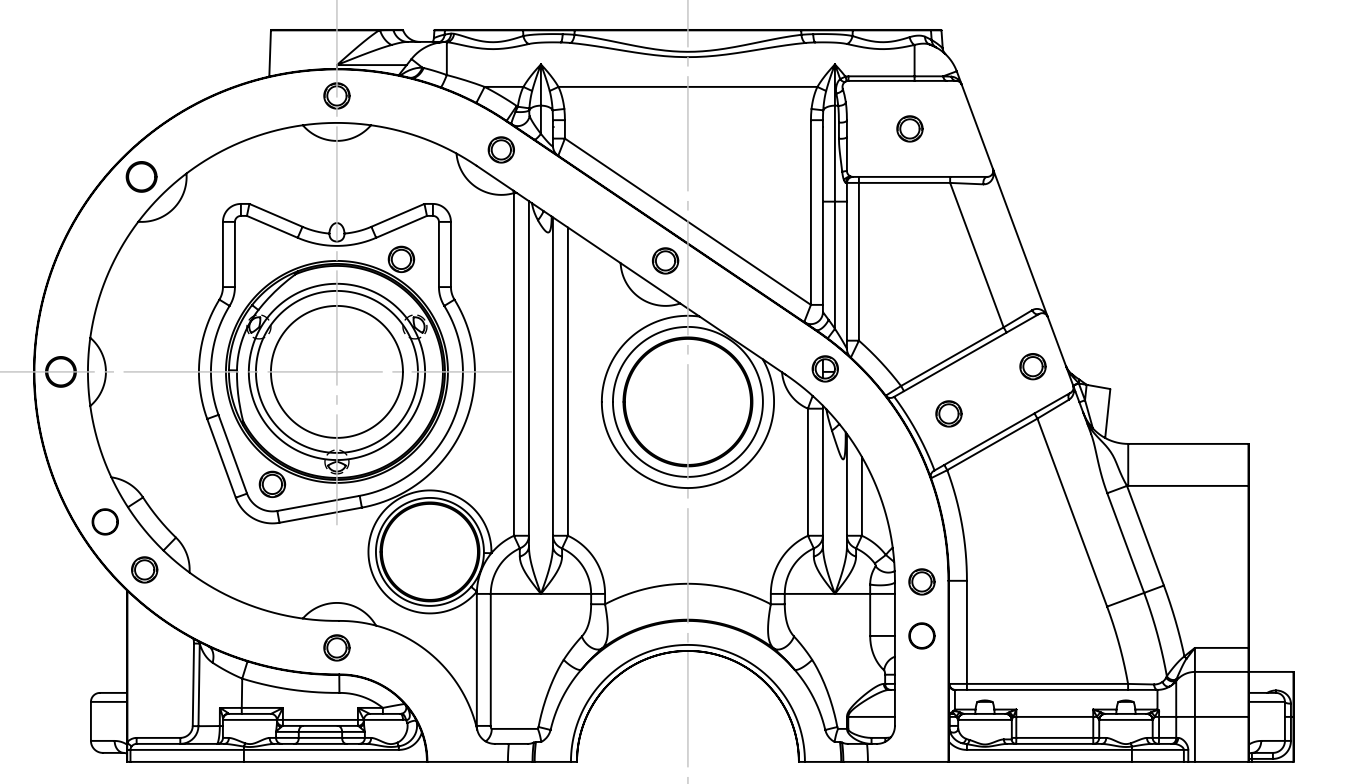


SECTION B-B  
SCALE 1:2



SECTION A-A  
SCALE 1:2



Wright L-320 Gipsy  
90001 Crankcase, Upper  
J Riend 24may23