

# de Havilland Contra-Rotating Propeller



Rolls-Royce Griffon Powered  
Avro Shackleton Marine Patrol A/C  
13 ft. diameter



Rolls-Royce Griffon Powered  
P-51 "Precious Metal"  
cropped to approx. 10 ft. dia.  
Weight: 625 - 650 lbs.

# Operation Schematic of de Havilland Contra-Prop

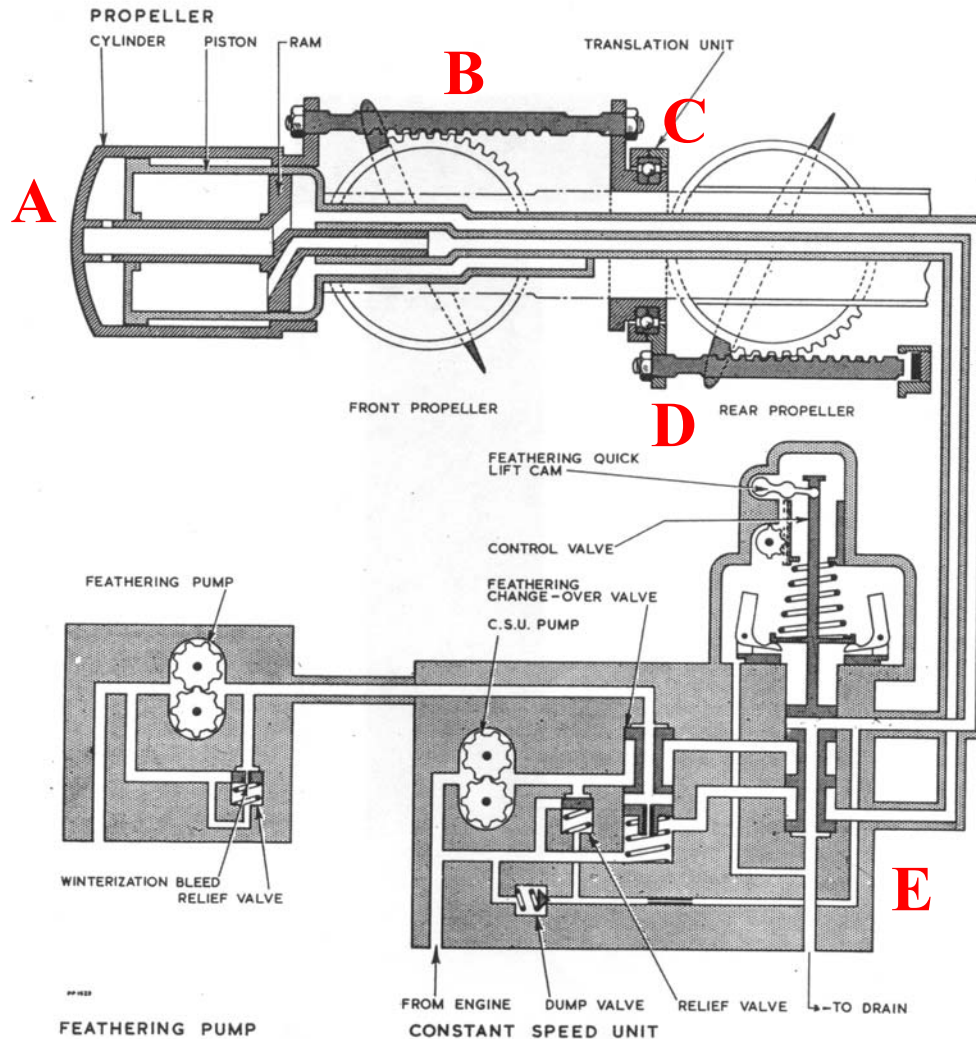
**A:** RotoI-type translating cylinder

**B:** Rack drive from cylinder to forward prop to translation bearing.

**C:** Translation bearing

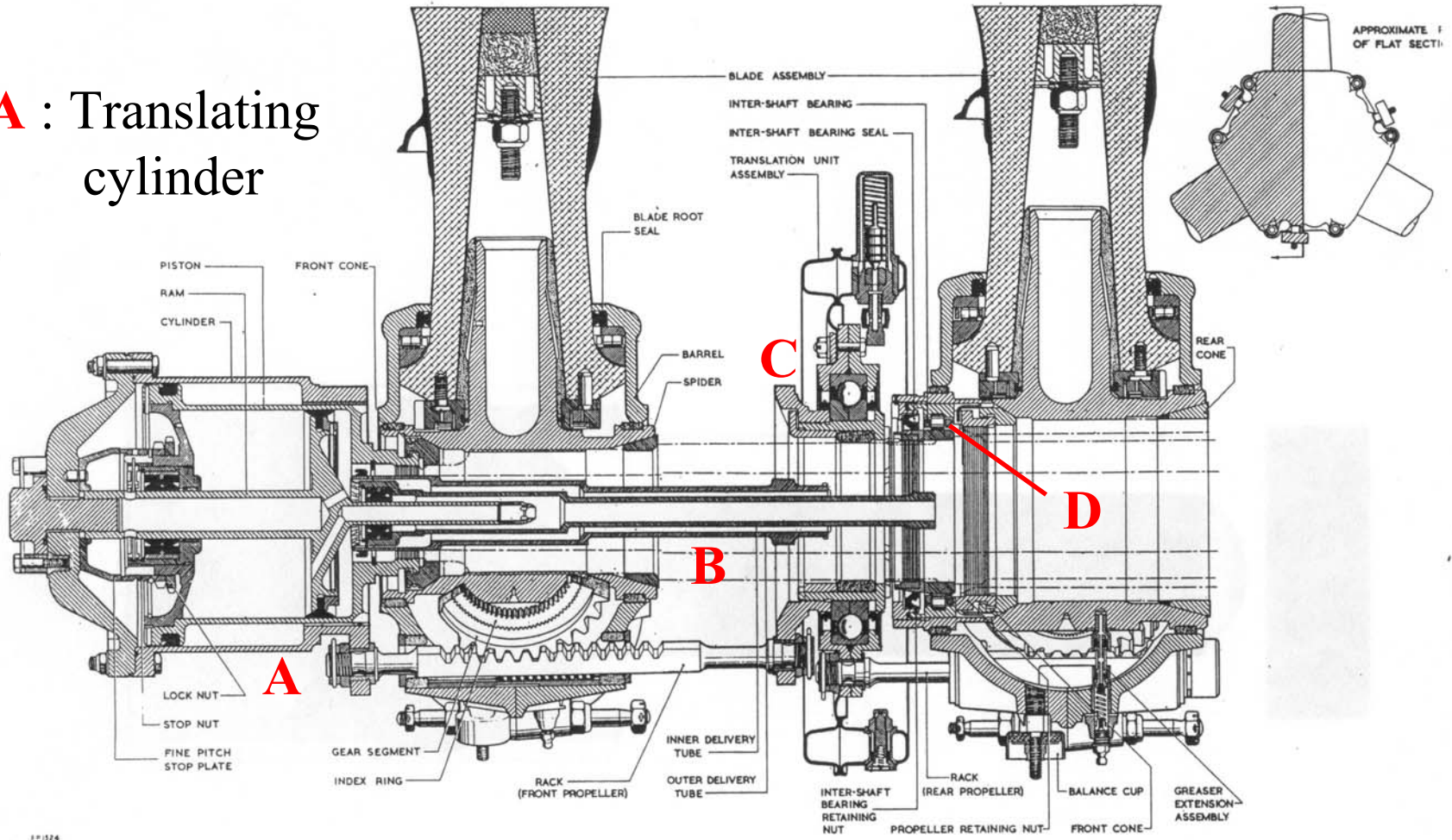
**D:** Rack from rear of translation bearing drive to propeller base of aft prop

**E:** Prop governor



# de Havilland Contra-Prop

**A** : Translating cylinder



**B**: Concentric oil feed lines

**C** : Translation bearing

**D**: Intershaft bearing

Fig. 1. SECTIONED VIEW OF PROPELLER