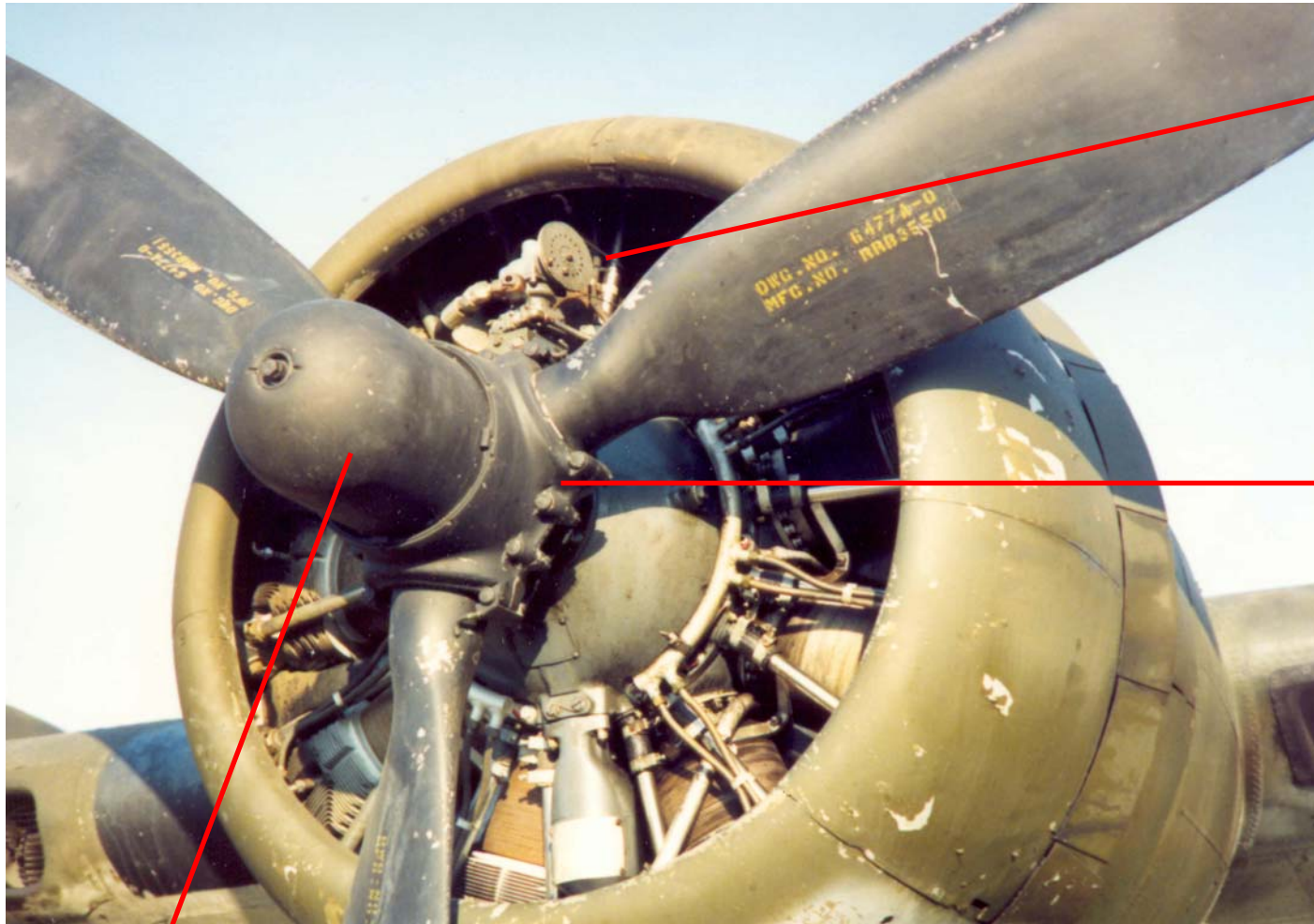


Hamilton-Standard Hydromatic Propeller



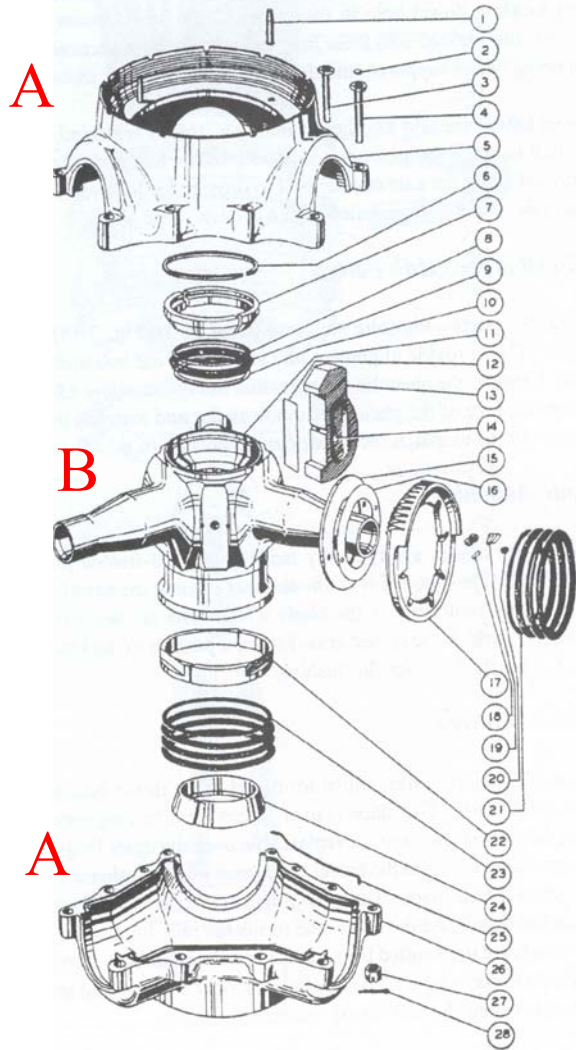
Prop
governor
with index
wheel

2 piece
forged
steel hub

Dome

Wright R-1820 Cyclone on Boeing B-17

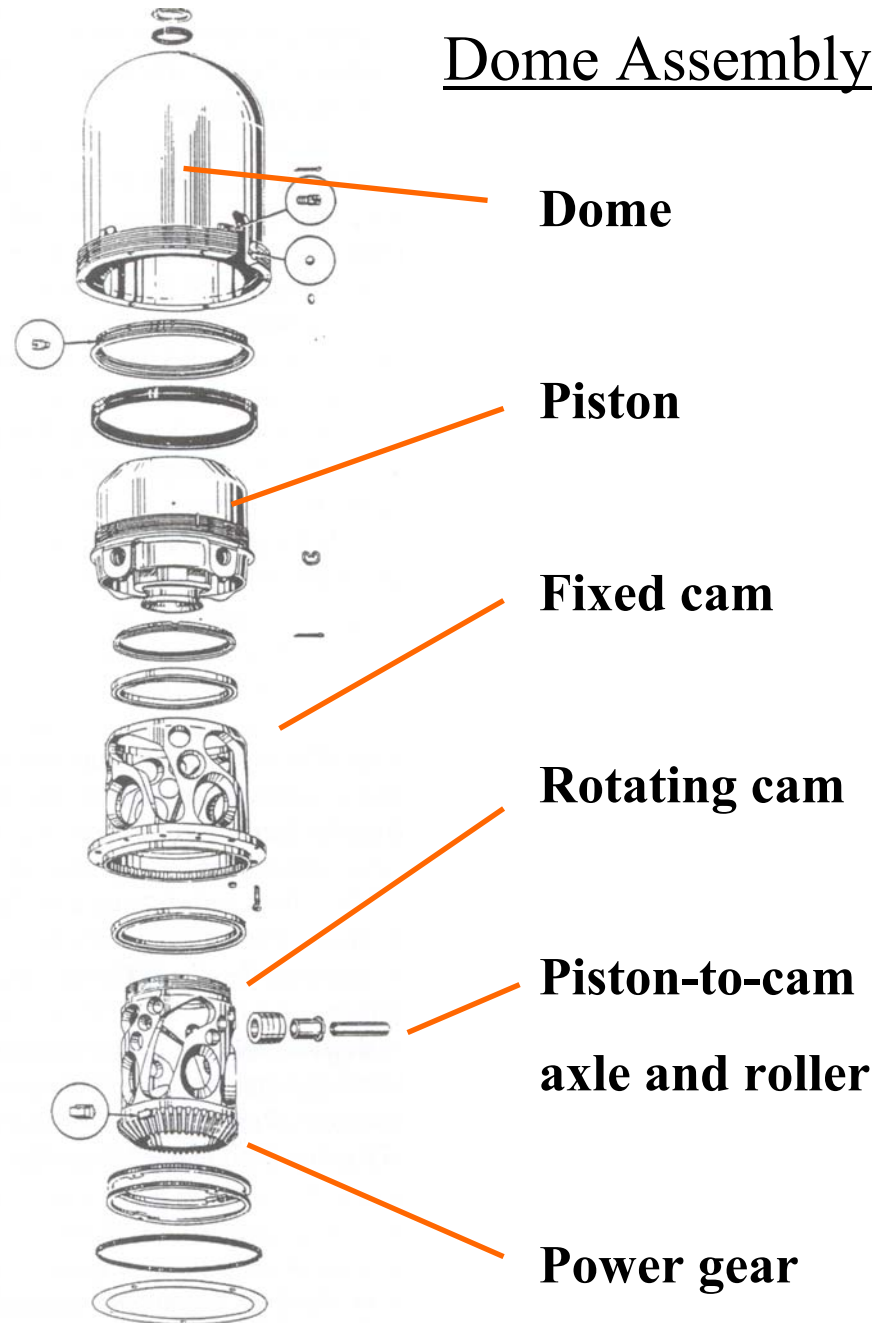
Hub Assembly



A: 2-piece hub (centrifugal loads)

B: Spider (thrust loads)

Dome Assembly



Dome

Piston

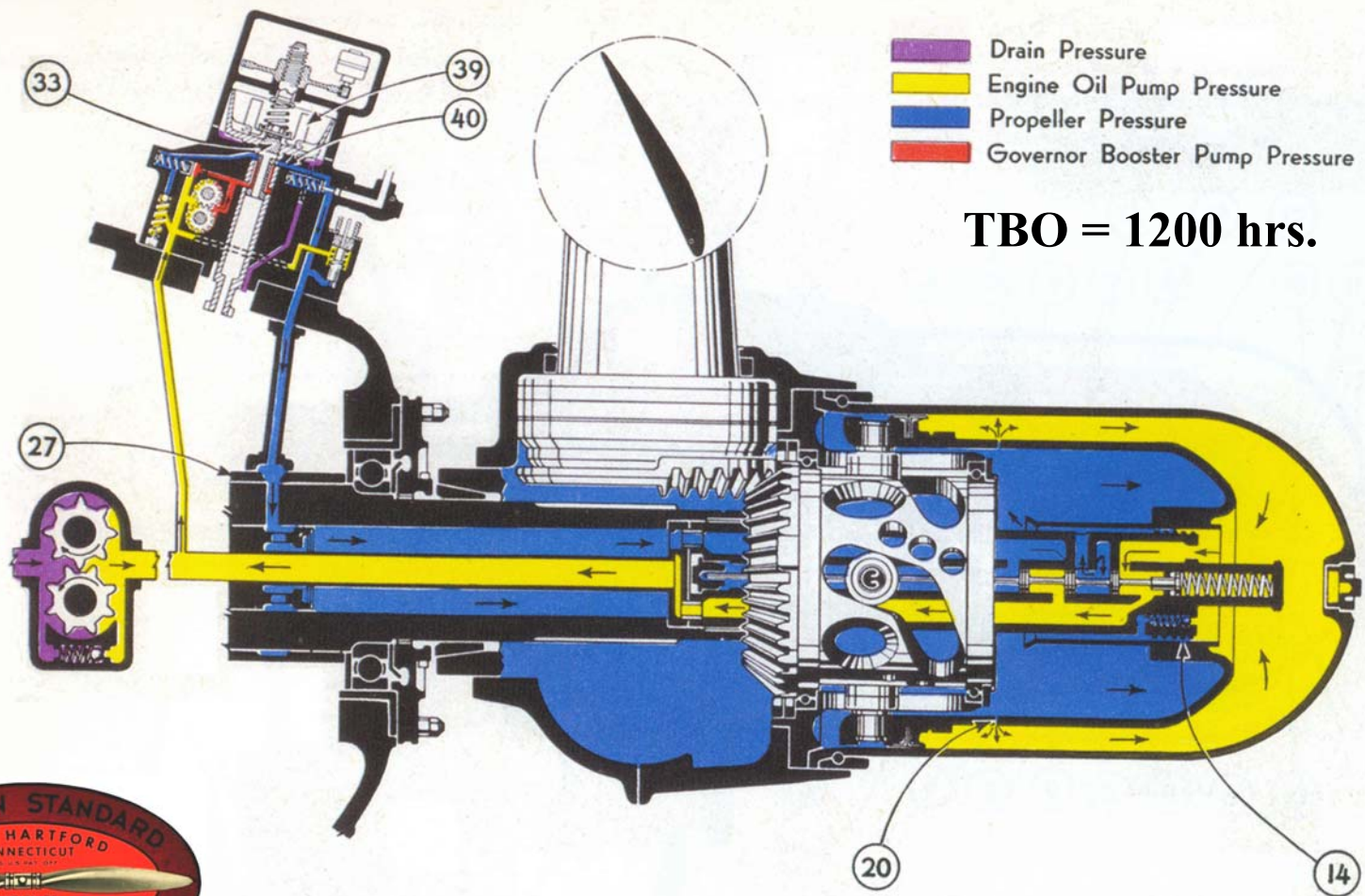
Fixed cam

Rotating cam

**Piston-to-cam
axle and roller**

Power gear

Hamilton-Standard Hydromatic Propeller



11 ft. 2 in., 4 blade on P-51D = 465 lbs.
14 ft. 4-blade on F4U-7 or F2G = 667 lbs.